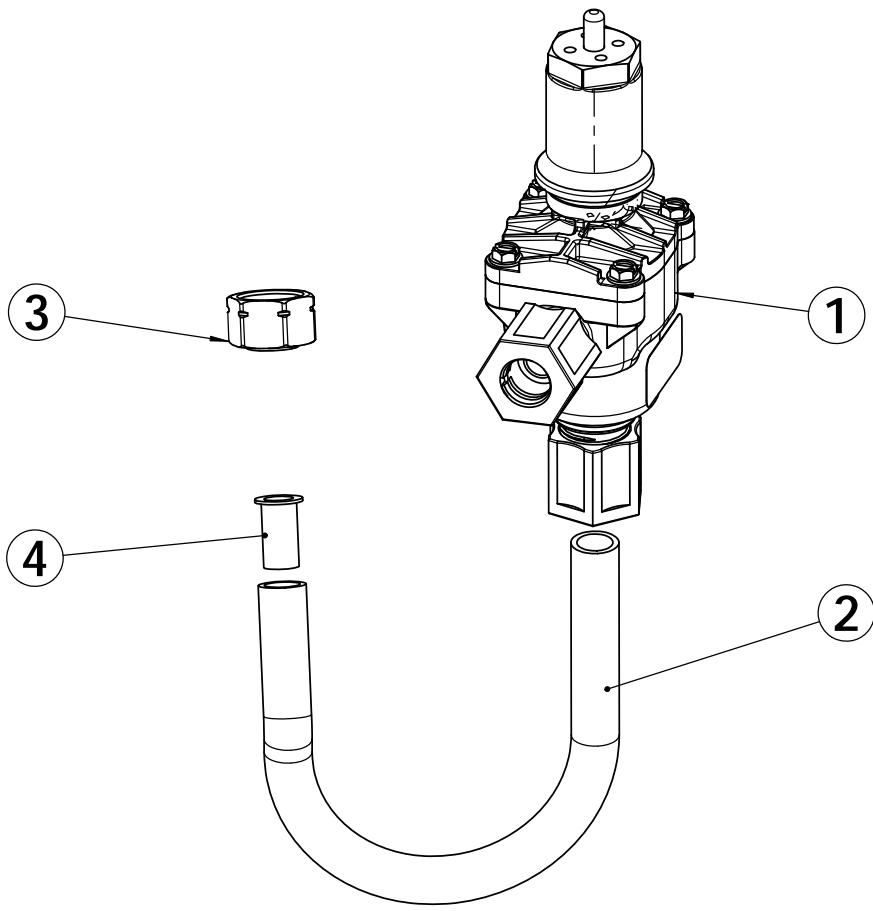


REVISIONS				
ECN	Rev.	Description	Date (dd/mm/yy)	Approved
F4700	A	CREATION	26/03/08	MAN/LD



ITEM	P/N	DESCRIPTION	BU28610-1.2	BU28610-2	BU28610-4	BU28610-7
1	28423-1.2	1.2 GPM , BRINE VALVE 1710 ASSY	1	-	-	-
1	28423-2	2 GPM , BRINE VALVE 1710 ASSY	-	1	-	-
1	28423-4	4 GPM , BRINE VALVE 1710 ASSY	-	-	1	-
1	28423-7	7 GPM , BRINE VALVE 1710 ASSY	-	-	-	1
2	BR16460	TUBE,BRINE,2850,9.123"	1	1	1	1
3	BR15414	NUT,2900,W/SLEEVE	1	1	1	1
4	15415	FITTING, INSERT, 1/2", TUBE	1	1	1	1



1710 BV w/ TUBE ASSY 2750NBP/2850/2910 (Specify gpm size)

BU28610-XX