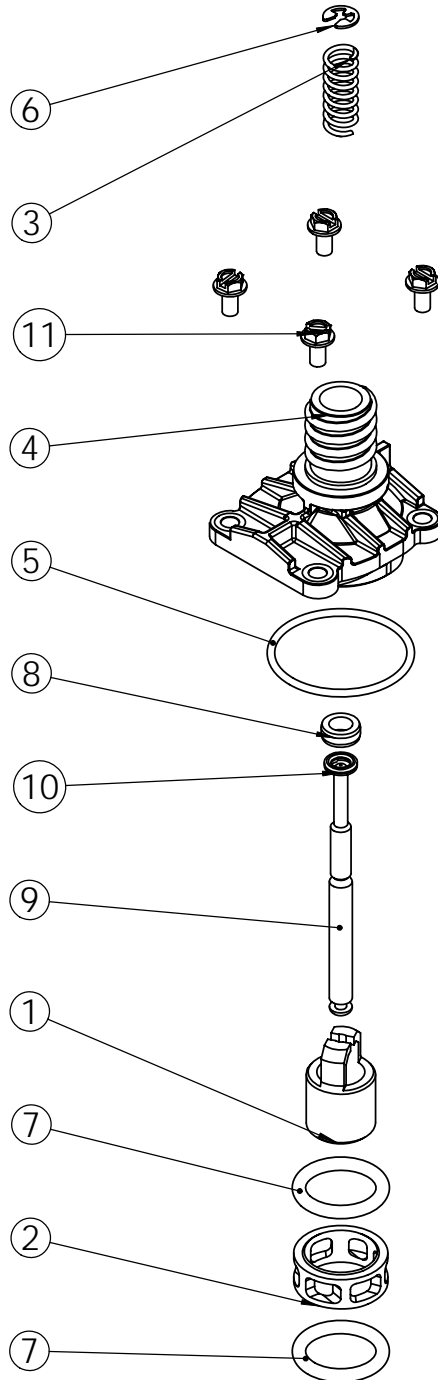


REVISIONS				
ECN	Rev.	Description	Date (dd/mm/yy)	Approved
F4700	A	CREATION	26/03/08	MP/LD
F4738	B	BU15310 was 15310	05/05/2008	MP/LD



ITEM	QTY	PART NO.	DESCRIPTION	NOM
1	1	14795	BRINE VALVE PISTON 1700/1710	PISTON BRINE VALVE 1700/1710
2	1	14798	BRINE VALVE SPACER	ENTRETOISE BRINE VALVE
4	1	41201	1700 PLASTIC BRINE, BOTTOM	1700 Fond de Saumur,
5	1	41547	O-RING, 2mmX35mm	JOINT ROND
6	1	BR10250	RING, RETAINING	CLIP DE RETENUE
7	2	BR14811	O-RING, -210, 560CD	JOINT TORIQUE
8	1	BR17908	SLEEVE, BRINE VALVE STEM	OLIVE
9	1	41429	9500 BRINE VALVE STEM	TIGE BV 9500
10	1	BU12550-01	QUAD RING	JOINT A LEVRE
11	4	BU14202-01	SCREW, HEX WSH MACH, 8-32 X 3/8"	VIS
12	1	BU15310	SPRING, BRINE VALVE	RESSORT VANNE A SAUMURE



REPAIR KIT BV 1710 for 9500

BU28613
CHAP. 29