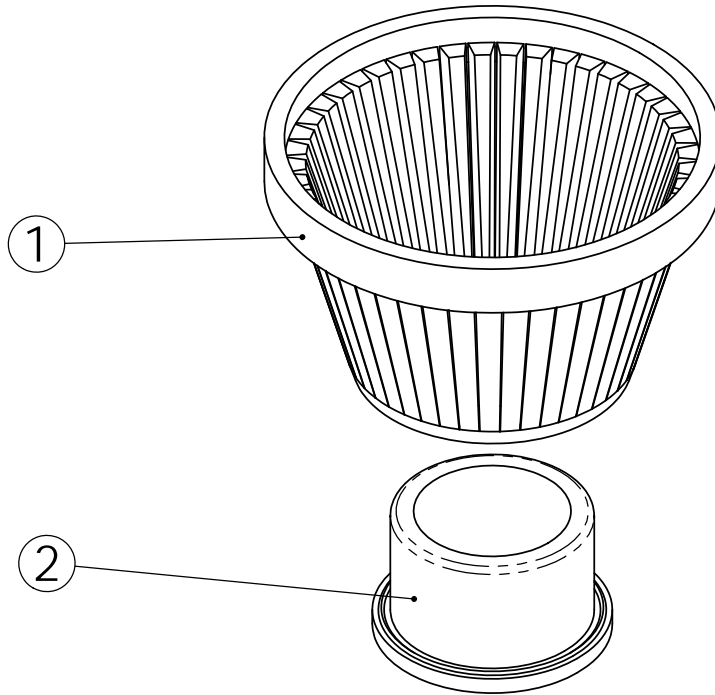


S.T.

REVISIONS				
ECN	Rev.	Description	Date (dd/mm/yy)	Approved
F4721	A	CREATION	10/04/08	MP/LD



OBSOLETE
see F5613

** INTERNAL USE ONLY **

ITEM	QTY	PART NO.	DESCRIPTION	NOM
1	1	25636	DISTRIBUTOR CAGE NORYL HW-HIGH CAPACITY 1"	CREPINE EAU CHAUDE
2	1	13693-01	BUSHING,DISTRIBUTOR,3/4" HW	BAGUE DISTRIBUTEUR 3/4" HW



WELDED HOT WATER DISTRIBUTOR CAGE H.C and BUSHING,DISTRIBUTOR,3/4"

BU28622
Chap.18