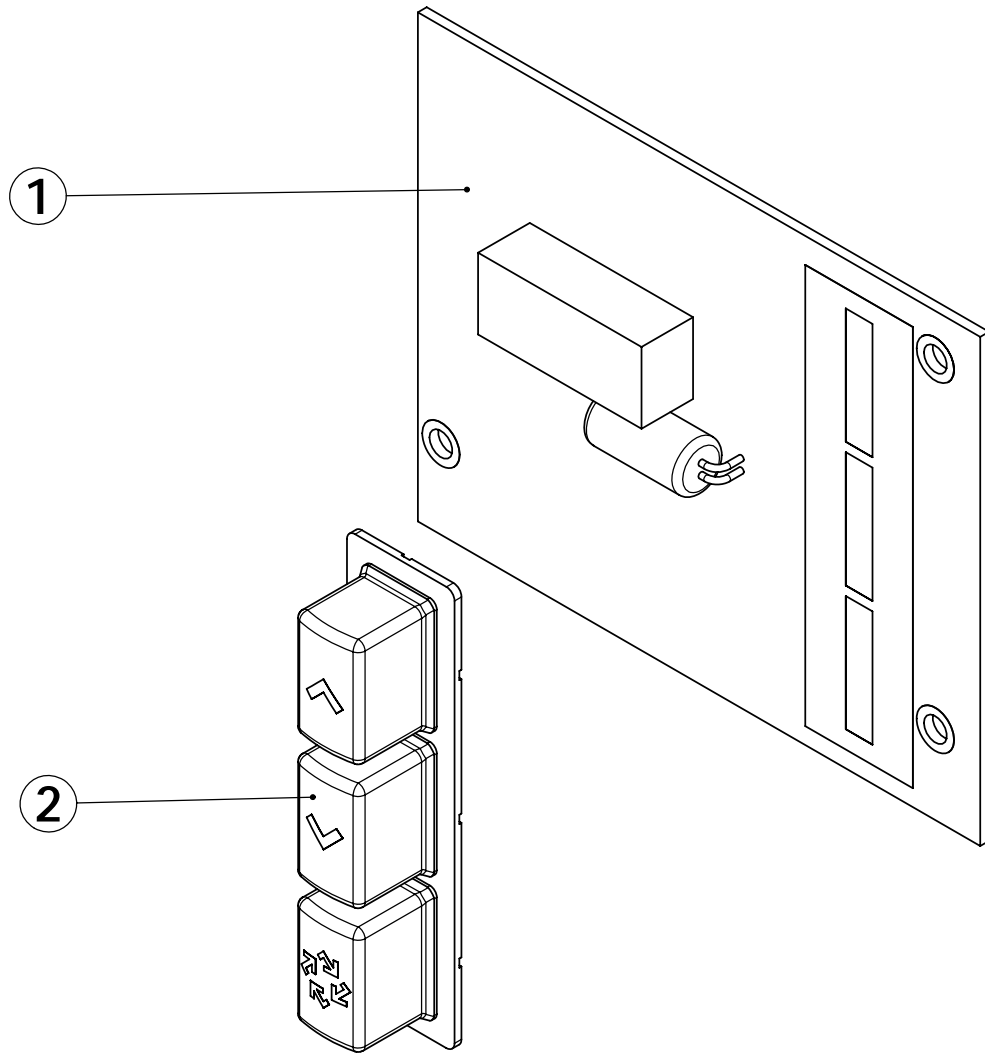


REVISIONS				
ECN	Rev.	Description	Date (dd/mm/yy)	Approved
F4747	A	CREATION	14/05/08	MP/LD



S.A.V

ITEM	QTY	PART NO.	DESCRIPTION	NOM
1	1	28036	CIRCUIT BOARD FOR NEW DESIGN	CARTE ELECTRONIQUE NEW DESIGN
2	1	28035	PAD BUTTON VERTICAL	CLAVIER VERTICAL



Circuit Board & Rubber Button ES

**BU28623**