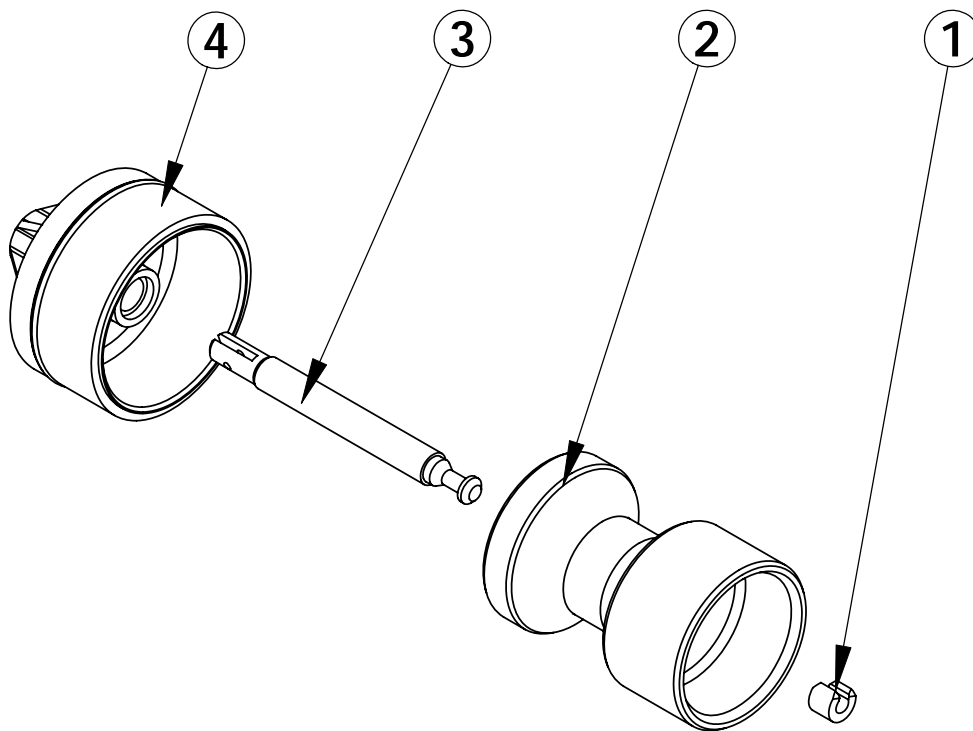


REVISIONS				
ECN	Rev.	Description	Date (dd/mm/yy)	Approved
F4752	A	CREATED ON SOLIDWORKS	30/05/08	MP/LD



**OBSOLETE
SEE F5229**

**FOR PRODUCTION DEPARTMENT
INTERNAL USE ONLY**

ITEM	QTY	PART NO.	DESCRIPTION	NOM
1	1	BR14818	RING,PISTON ROD,SNAP	ANNEAU
2	1	BU14757	PISTON WBP 2900	PISTON WBP 2900
3	1	BU14758	PISTON ROD	TIGE DE PISTON
4	1	BU28604	END PLUG ASSY 2910 SOFT REGENERATION	ETRIER ASSEMBLE 2910 Soft Regeneration



WBP PISTON ASSY 2910 SOFTWATER (Production)

BU28636

Chap.19