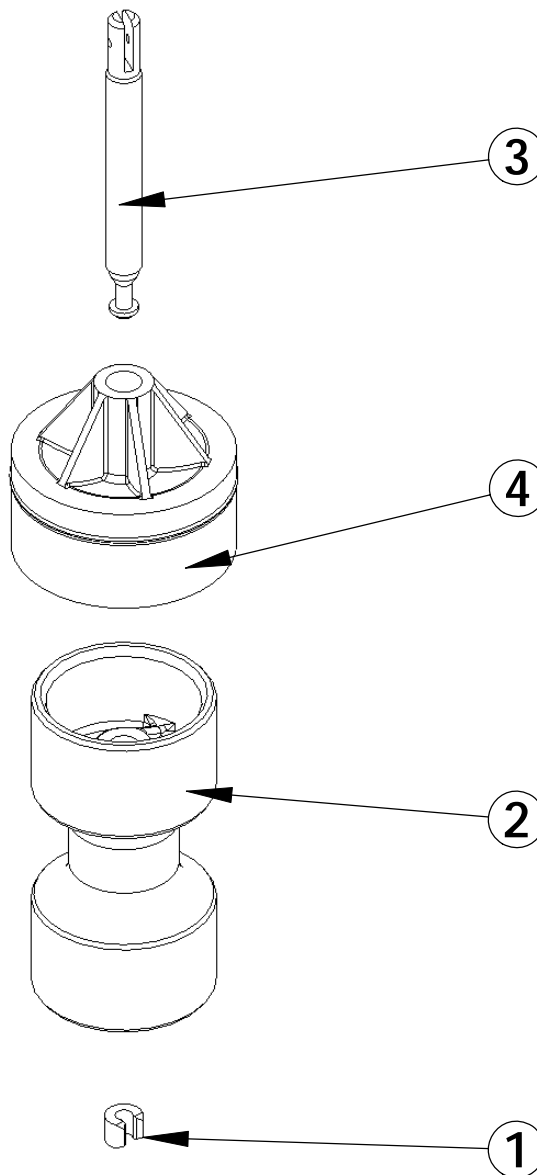


REVISIONS				
ECN	Rev.	Description	Date (dd/mm/yy)	Approved
F4752	A	CREATED ON SOLIDWORKS	30/05/08	MP/LD

OBSOLETE
SEE F5229



FOR PRODUCTION DEPARTMENT
USE INTERNAL ONLY

ITEM	QTY	PART NO.	DESCRIPTION	NOM
1	1	BR14818	RING, PISTON ROD, SNAP	ANNEAU
2	1	BU14752	PISTON NO HWBP 2900	PISTON NO HWBP 2900
3	1	BU14758	PISTON ROD	TIGE DE PISTON
4	1	BU28604	END PLUG ASSY 2910 SOFT REGENERATION	ETRIER ASSEMBLE 2910 Soft Regeneration



NBP PISTON ASSY 2910 Soft Regeneration (Production)

BU28637

Chap.19