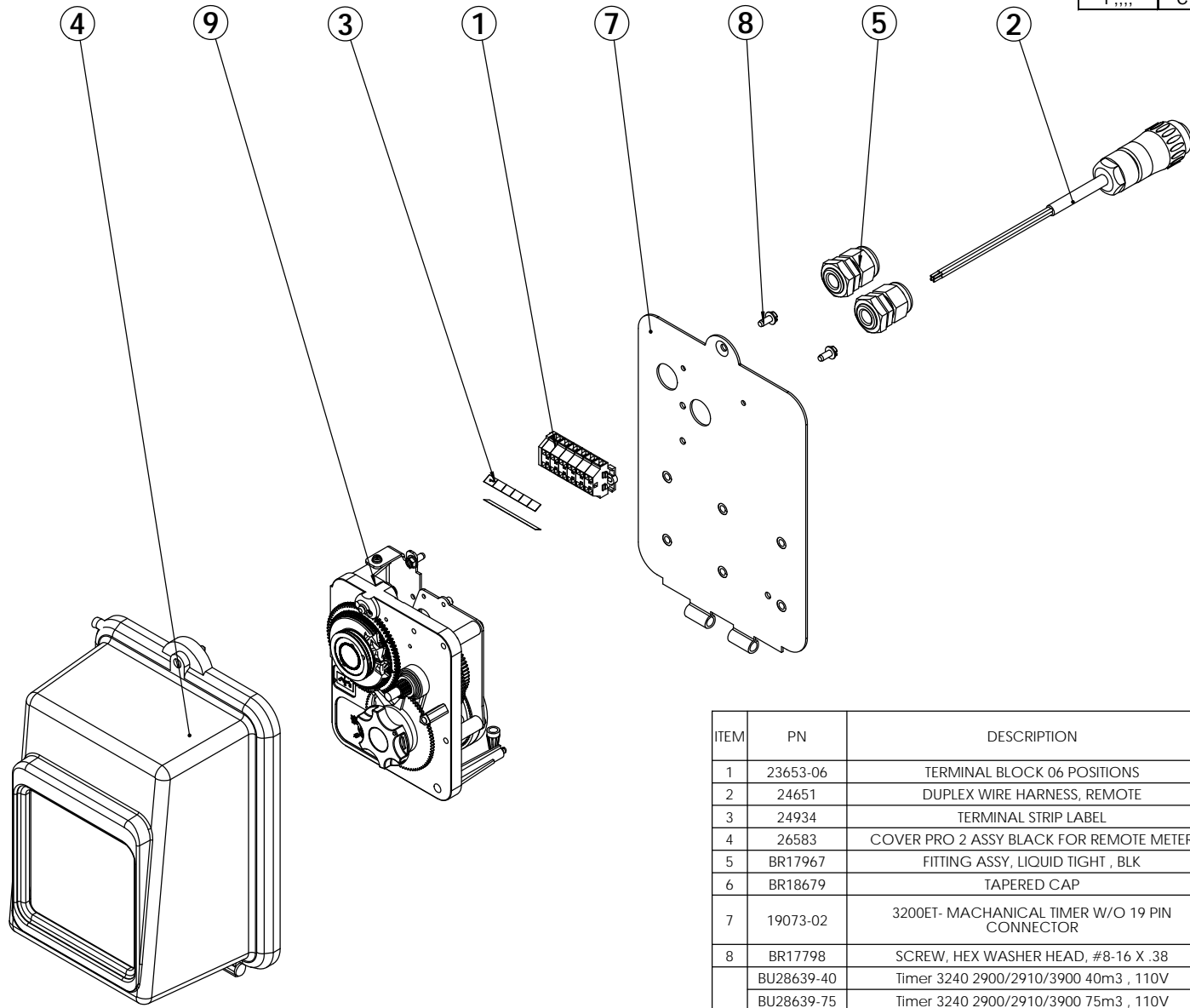


REVISIONS				
ECN	Rev.	Description	Date (dd/mm/yy)	Approved
	A	Created on solidworks	17/06/08	LD
F5448	B	BR17798 (x2) was BU13296 (2x)	15/02/2012	MAN
F,,,,	C	UPDATED / ADDED : BU28640-200	02/03/2012	MAN



ITEM	PN	DESCRIPTION	BU28640-40 QTY	BU28640-75 QTY	BU28640-240 QTY	BU28640-200 QTY	BU28640-375 QTY	BU28640-1200 QTY
1	23653-06	TERMINAL BLOCK 06 POSITIONS	1	1	1	1	1	1
2	24651	DUPLEX WIRE HARNESS, REMOTE	1	1	1	1	1	1
3	24934	TERMINAL STRIP LABEL	2	2	2	2	2	2
4	26583	COVER PRO 2 ASSY BLACK FOR REMOTE METER	1	1	1	1	1	1
5	BR17967	FITTING ASSY, LIQUID TIGHT , BLK	2	2	2	2	2	2
6	BR18679	TAPERED CAP	1	1	1	1	1	1
7	19073-02	3200ET- MACHANICAL TIMER W/O 19 PIN CONNECTOR	1	1	1	1	1	1
8	BR17798	SCREW, HEX WASHER HEAD, #8-16 X .38	2	2	2	2	2	2
9	BU28639-40	Timer 3240 2900/2910/3900 40m3 , 110V	1	-	-	-	-	-
	BU28639-75	Timer 3240 2900/2910/3900 75m3 , 110V	-	1	-	-	-	-
	BU28639-240	Timer 3240 2900/2910/3900 240m3 , 110V	-	-	1	-	-	-
	BU28639-200	Timer 3240 2900/2910/3900 200m3 , 110V	-	-	-	1	-	-
	BU28639-375	Timer 3240 2900/2910/3900 375m3 , 110V	-	-	-	-	1	-
	BU28639-1200	Timer 3240 2900/2910/3900 1200m3 , 110V	-	-	-	-	-	1



PH RM Duplex #6 & 2910/3900 #7 110V/60 Hz

BU28640-XX