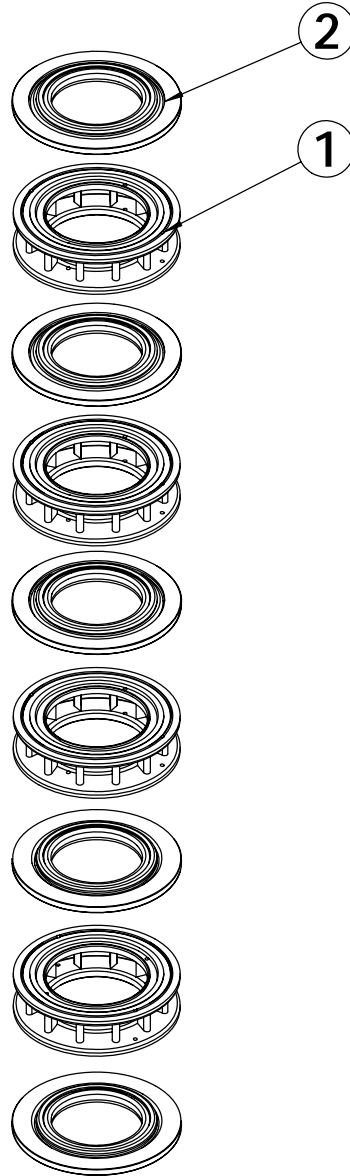


REVISIONS				
ECN	Rev.	Description	Date (dd/mm/yy)	Approved
	A	Created on solidworks	1/10/08	LD
F5106	B	OBSOLETED : See P/N 24115	08/10/2009	MP



**OBSOLETE
SEE P/N 24115**

ITEM	PN	DESCRIPTION	QTY
1	14241-02	SPACER	4
2	40628	SEAL, 5600	5

