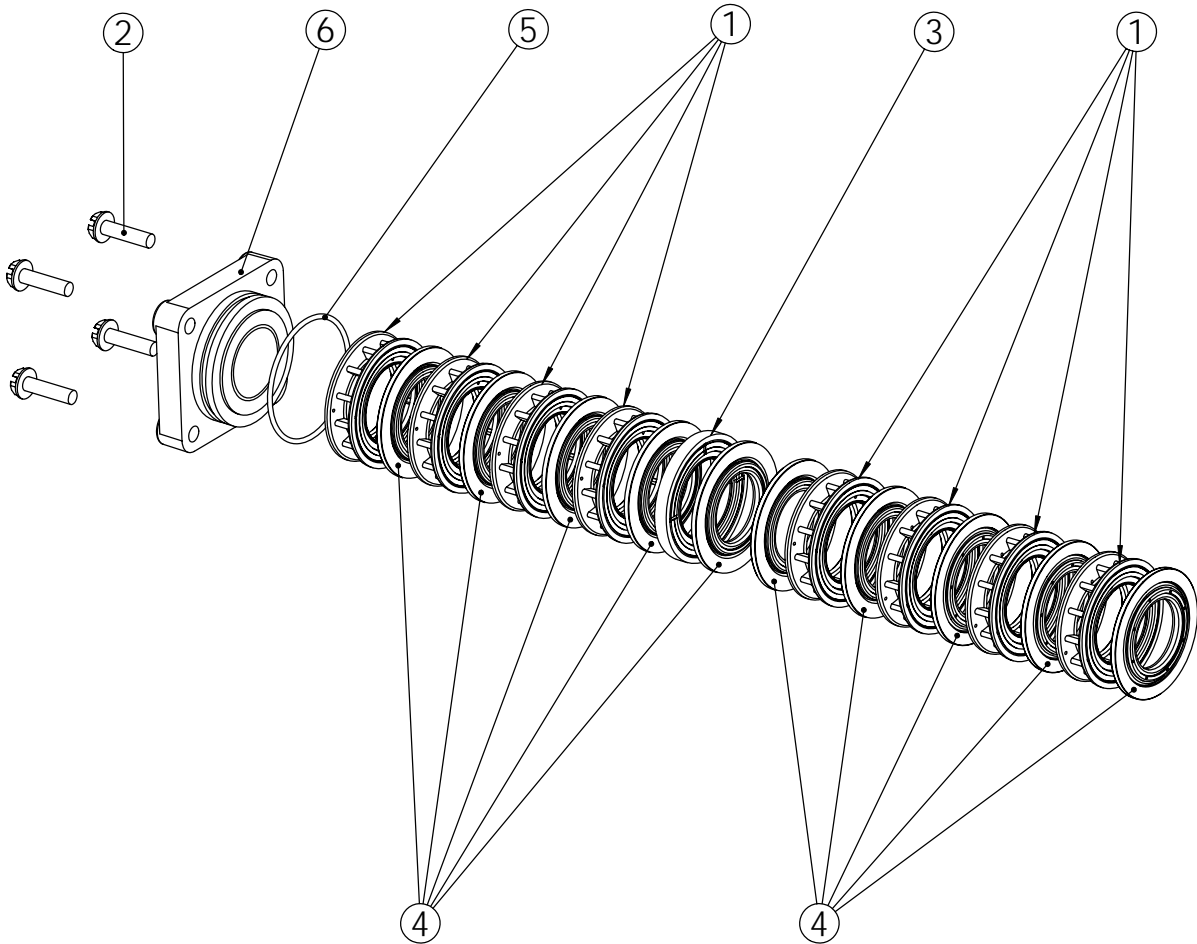


REVISIONS				
ECN	Rev.	Description	Date (dd/mm/yy)	Approved
F4864	A	CREATION	3/11/08	MP/LD
	B	BR40952 was 40952	7/04/09	LD
	C	BU28715 was BR13242	22/01/10	CHT
F5157	D	BU40952 was BR40952	03/05/2010	MP
F5352	E	BR43011-01 was BU28715	02/05/2011	MP



ITEM	PART NUMBER	DESCRIPTION	QTE
1	14241-02	SPACER	8
2	15331	SCREW, HEX WASHER HEAD, #10-24 X .75	4
3	16595	SPACER	1
4	BR43011-01	SEAL, 5600	10
5	BU40952	O-RING, -.030	1
6	BR42278	END CAP, PLASTIC, 9000/9100	1



SEALS AND SPACERS KIT FOR 9000/9100 DF

BU28664

Chap.21