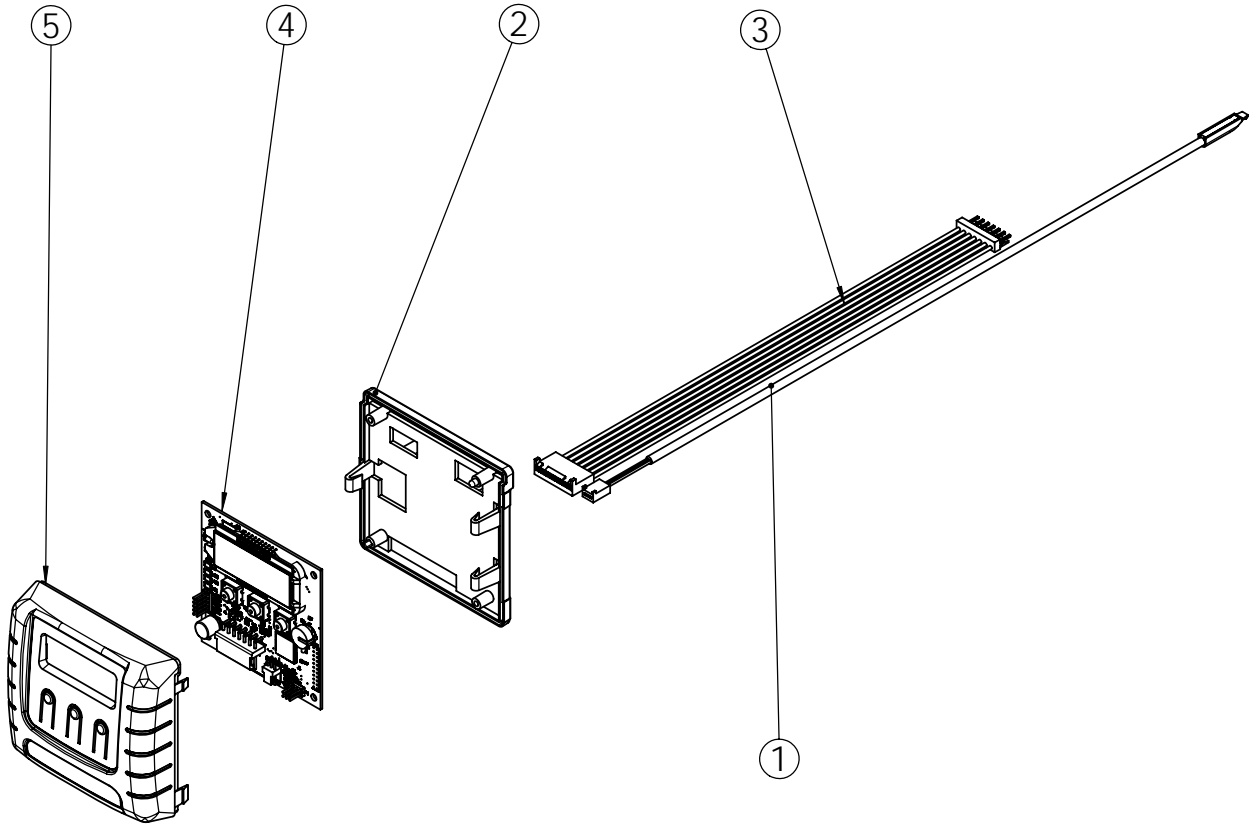


| REVISIONS |      |                           |                 |          |
|-----------|------|---------------------------|-----------------|----------|
| ECN       | Rev. | Description               | Date (dd/mm/yy) | Approved |
| F4897     | A    | CREATION                  | 12/01/09        | MP/LD    |
| F4927     | B    | BR19889 was 19889         | 17/02/2009      | MP/LD    |
| F5007     | C    | CHANGED TITLE DESIGNATION | 15/06/2009      | MP/LD    |



| ITEM | QTY | PART NO.   | DESCRIPTION                                | NOM  |
|------|-----|------------|--|--|
| 1    | 1   | BU19791-02 | ASSY TURBINE METER CABLE                   | ENSEMBLE CABLE COMPTEUR                    |
| 2    | 1   | BR19889    | HOUSING, CIRCUIT BOARD                     | BOITIER                                    |
| 3    | 1   | 26907      | RALLONGE 57001 EWT                         | RALLONGE 57001 EWT                         |
| 4    | 1   | BR42766-02 | CIRCUIT BOARD,SXT,PROGRAMMED METER DELAYED | CIRCUIT BOARD,SXT,PROGRAMMED METER DELAYED |
| 5    | 1   | BR42635-01 | FRONT COVER,SXT,SQUARE (Black)             | COUVERCLE FACADE AVANT SXT                 |



FRONT PANEL ASSY 5620 SXT without LABEL

**BU28666-00**

CHAP.28