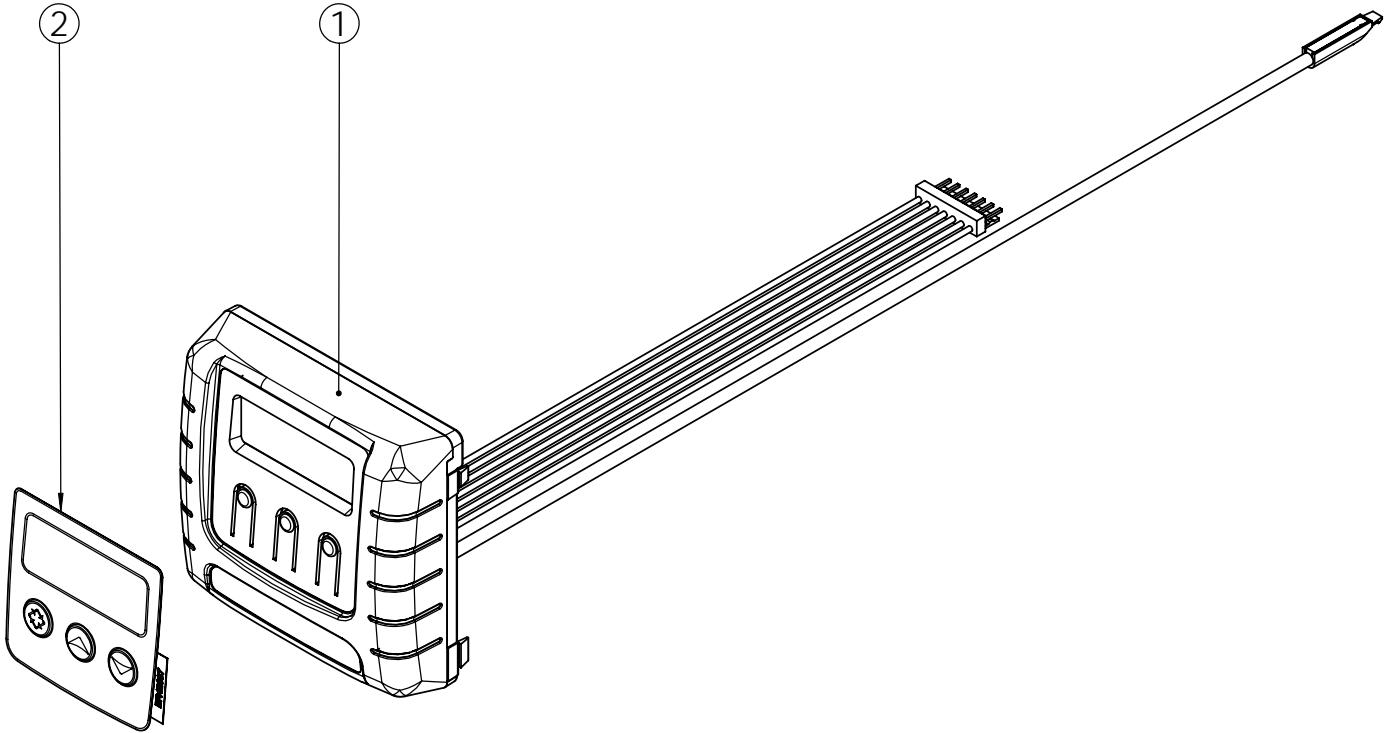


REVISIONS				
ECN	Rev.	Description	Date (dd/mm/yy)	Approved
F4897	A	CREATION	12/01/09	MP/LD
F5007	B	CHANGED TITLE DESIGNATION	14/06/2009	MP/LD



SAV :

BU28714 : Front Panel with Label Assy , SXT

ITEM	QTY	PART NO.	DESCRIPTION	NOM
2	1	BR42637	LABEL,DISPLAY,SXT	ETIQUETTE D'AFFICHAGE, SXT
1	1	BU28666-00	FRONT PANEL ASSY 5620 SXT without LABEL	FACADE AVANT ASSEMBLEE SANS LABEL , 5620 SXT



FRONT PANEL ASSY 5620 SXT with Label

**BU28666**  
CHAP.28