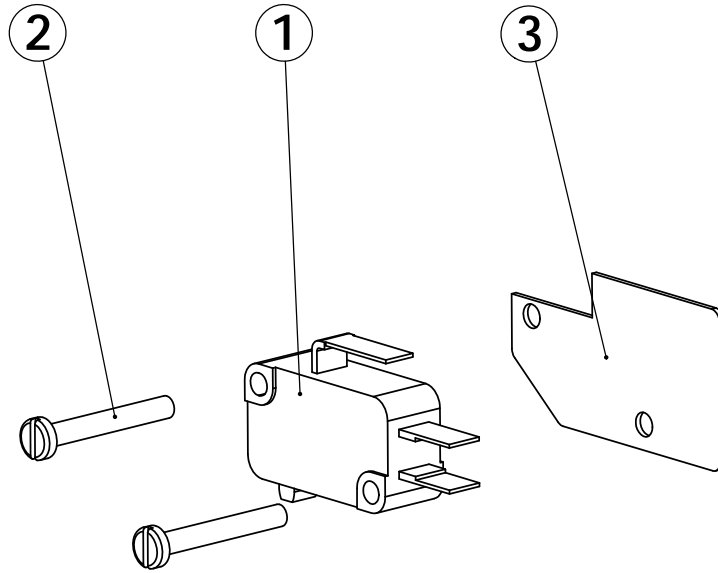


REVISIONS				
ECN	Rev.	Description	Date (dd/mm/yy)	Approved
	A	CREATED ON SOLIDWORKS	17/02/09	LD



ITEM	PN	DESCRIPTION	QTY
1	10218	MICROSWITCH	1
2	18158	SCREW	2
3	BR14087	INSULATOR	1



KIT MICROSWITCH ELECTRONIC RESIDENTIAL & 5600 MECHANICAL W/o LAMP

BU28670