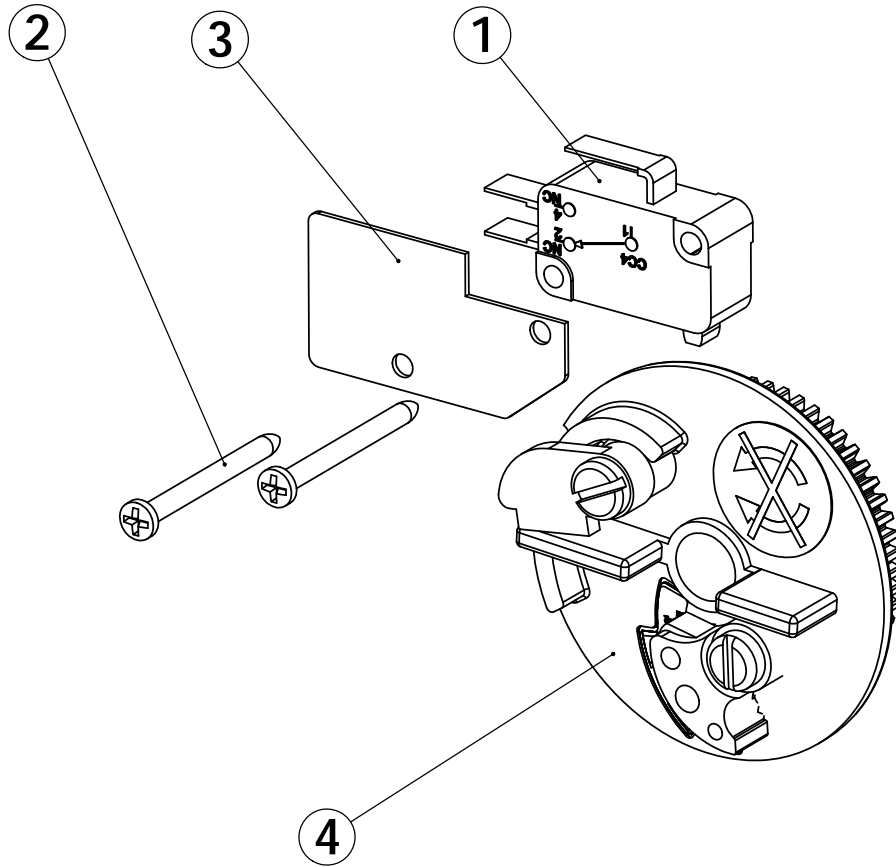


REVISIONS				
ECN	Rev.	Description	Date (dd/mm/yy)	Approved
	A	CREATED ON SOLIDWORKS	17/02/09	LD



ITEM	PN	DESCRIPTION	BU28671-0.12 QTY	BU28671-0.25 QTY	BU28671-0.50 QTY	BU28671-1 QTY
1	10218	MICROSWITCH	1	1	1	1
2	BU11413	SCREW 2.9x32	2	2	2	2
3	BR14087	INSULATOR	1	1	1	1
4	26070-0.12	Brine Cam DF Assy 1 à 3.5 KG (0.12gpm)	1	-	-	-
4	26070-0.25	Brine Cam DF Assy 1.5 à 7 KG (0.25gpm)	-	1	-	-
4	26070-0.50	Brine Cam DF Assy 3 à 14 KG (0.50gpm)	-	-	1	-
4	26070-1	Brine Cam DF Assy 6 à 28 KG (1.00gpm)	-	-	-	1



KIT MICROSWITCH 5600 MECHANICAL WITH LAMPS

BU28671