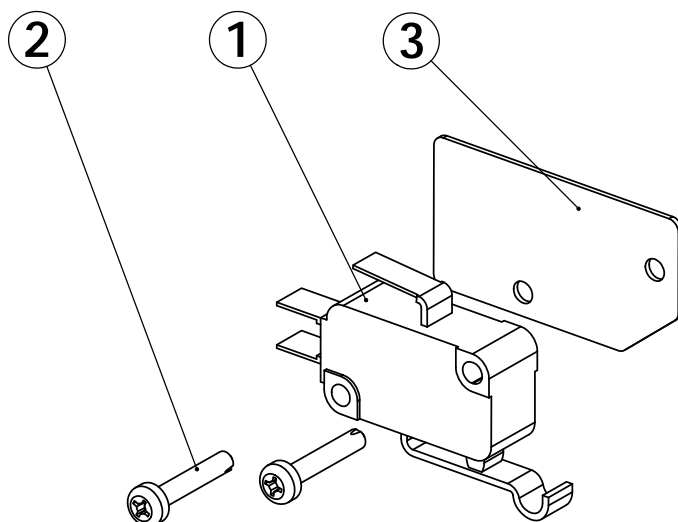


REVISIONS				
ECN	Rev.	Description	Date (dd/mm/yy)	Approved
	A	CREATED ON SOLIDWORKS	17/02/09	LD



ITEM	PN	DESCRIPTION	QTY
1	10896	MICROSWITCH	1
2	BR11805	SCREW TC N°4-40 UNC 2A	2
3	BR10302	INSULATOR, LIMIT SWITCH	1



KIT MICROSWITCH 2510/2750/2850

BU28672