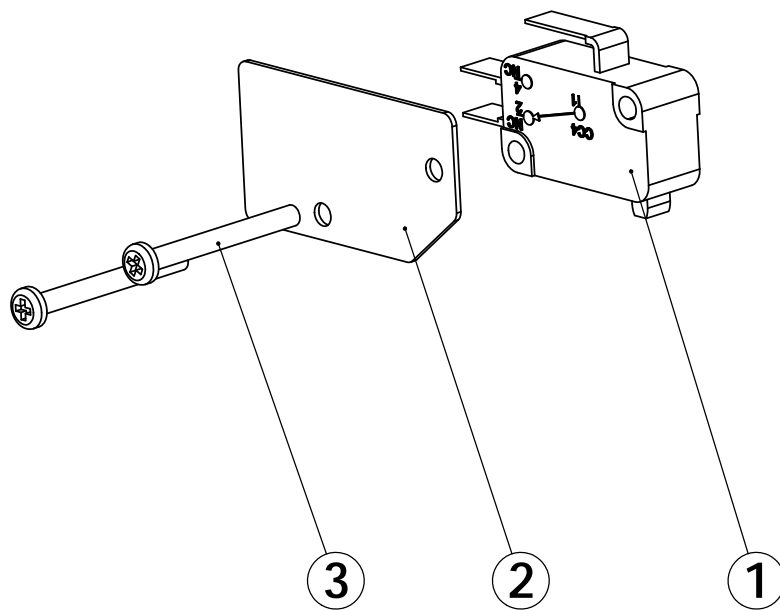


REVISIONS				
ECN	Rev.	Description	Date (dd/mm/yy)	Approved
	A	CREATED ON SOLIDWORKS	17/02/09	LD



ITEM	PN	DESCRIPTION	QTY
1	10218	MICROSWITCH	1
2	BR10302	INSULATOR, LIMIT SWITCH	1
3	BR14923	SCREW,PAN HD MACH,4-40 X 1	2



**KIT MICROSWITCH 3900**

**BU28674**