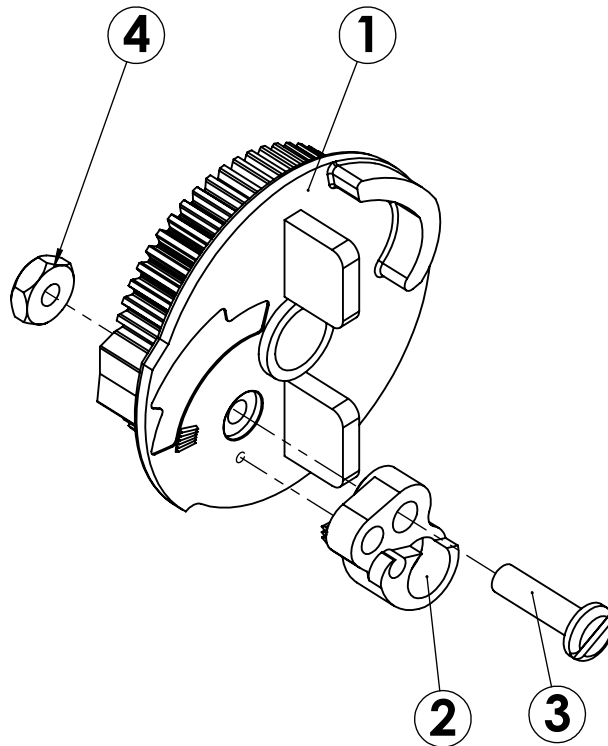


REVISIONS				
ECN	Rev.	Description	Date (dd/mm/yy)	Approved
	A	Created on solidworks : used for the 18407	11/03/09	LD



**INTERNAL USE ONLY**

ITEM	PN	DESCRIPTION	QTY
1	15563	BRINE VALVE DRIVE CAM	1
2	18578	CAM SEGMENT BRINE VALVE	1
3	15980	SCREW	1
4	11081	NUT	1



BRINE CAM ASSY 6665 ND, NOT FASTEN

**BU28679**

Chapitre 28