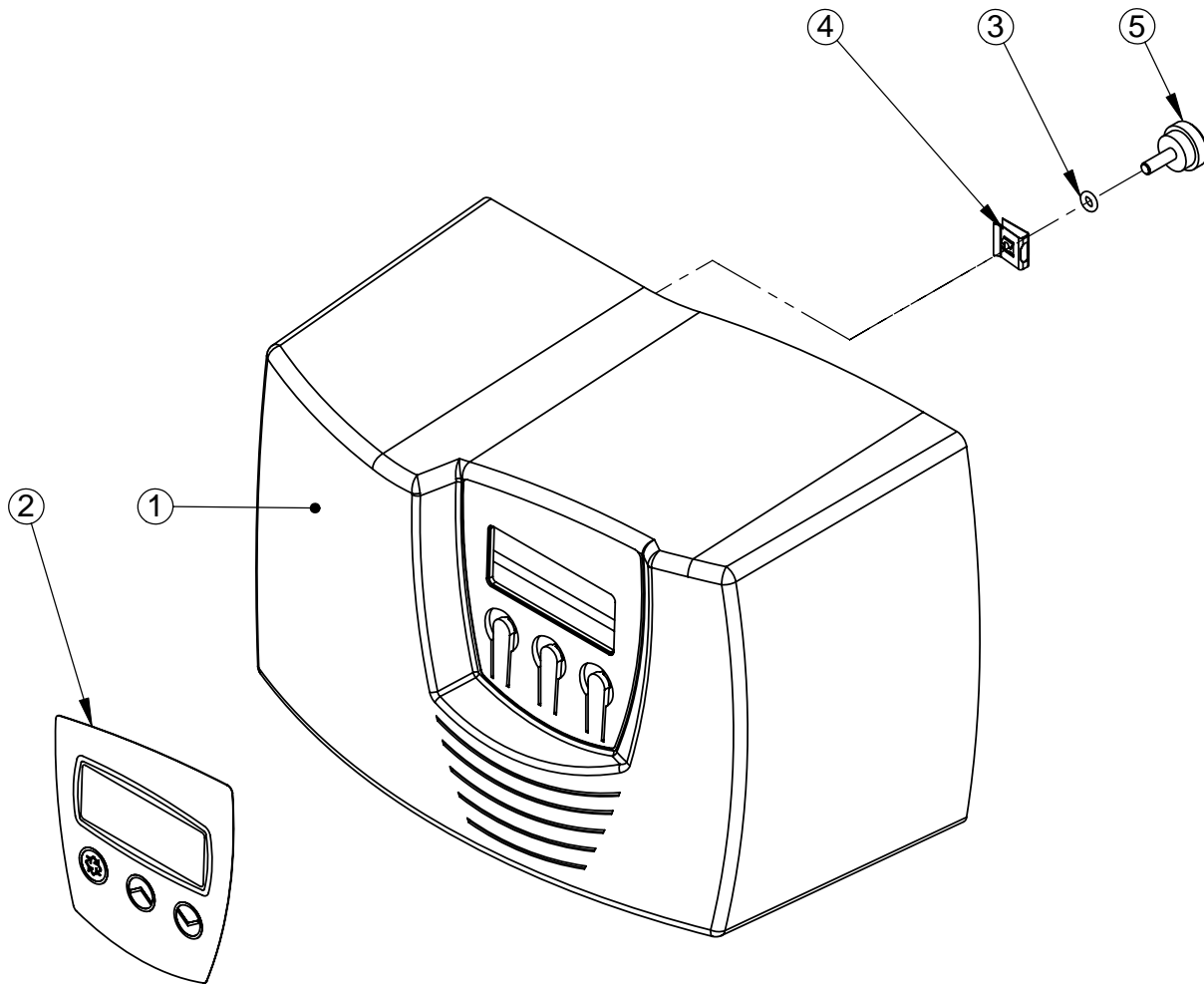


REVISIONS				
ECN	Rev.	Description	Date (dd/mm/yy)	Approved
F4970	A	CREATION	16/04/09	LD/MP
F5045	B	BR19367-01 was BR19367	13/09/09	LD/MP



ITEM	QTY	PART NO.	DESCRIPTION	NOM
1	1	BR40708-00	COVER, GRAY, 7700	COUVERCLE GRIS , 7700
2	1	BR42671	LABEL BLUE ,7700 SXT	ETIQUETTE BLEUE 7700 SXT
3	1	BR41122	O-RING, -007	JOINT
4	1	BR18728	NUT, TINNEMAN, U TYPE, 8-32	ECROU EN U
5	1	BR19367-01	SCREW,DESIGNER COVER,THUMB	VIS DE COUVERCLE



COVER ASSY,GRAY, 7700 SXT

BU28694
CHAP.27