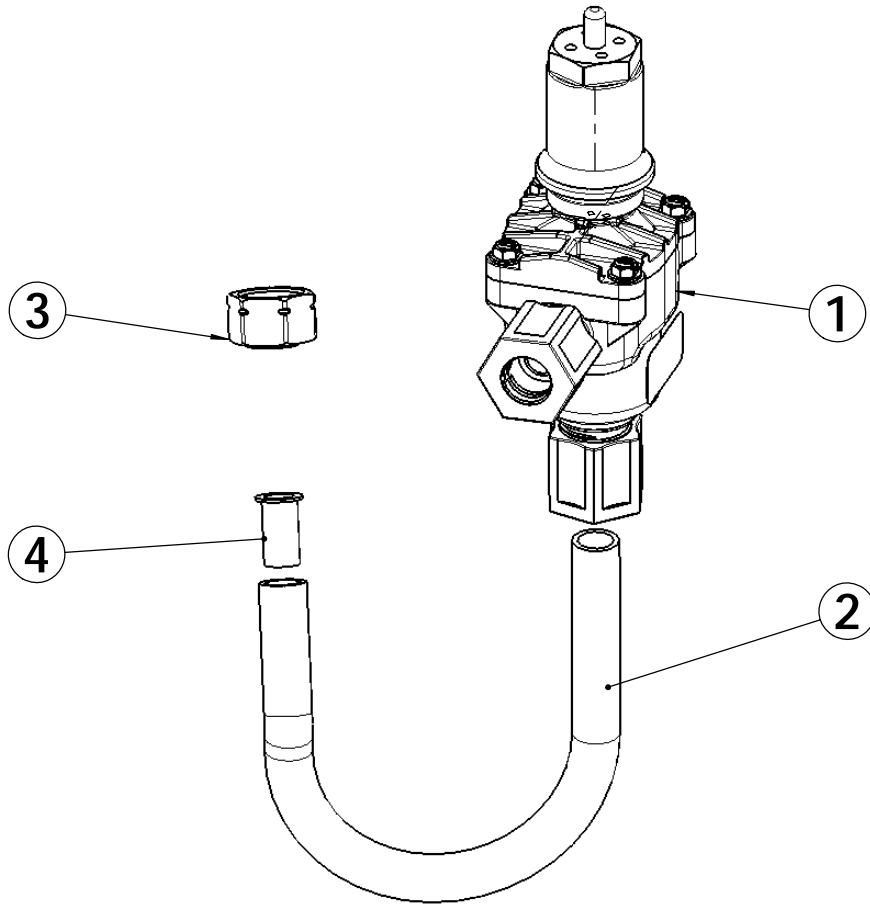


REVISIONS				
ECN	Rev.	Description	Date (dd/mm/yy)	Approved
F5030	A	CREATION	18/07/09	MAN/LD



PACKED TOGETHER

ITEM	PART NUMBER	DESCRIPTION	QTY
1	28423-4	4 GPM , BRINE VALVE 1710 ASSY	1
2	BR16460	TUBE,BRINE,2850,9.123"	1
3	BR15414	NUT,2900,W/SLEEVE	1
4	15415	FITTING, INSERT, 1/2", TUBE	1



Brine Valve 1710 Assy 2910/2850/2750 NBP - 4 gpm for GRUNBECK

**BU28705**