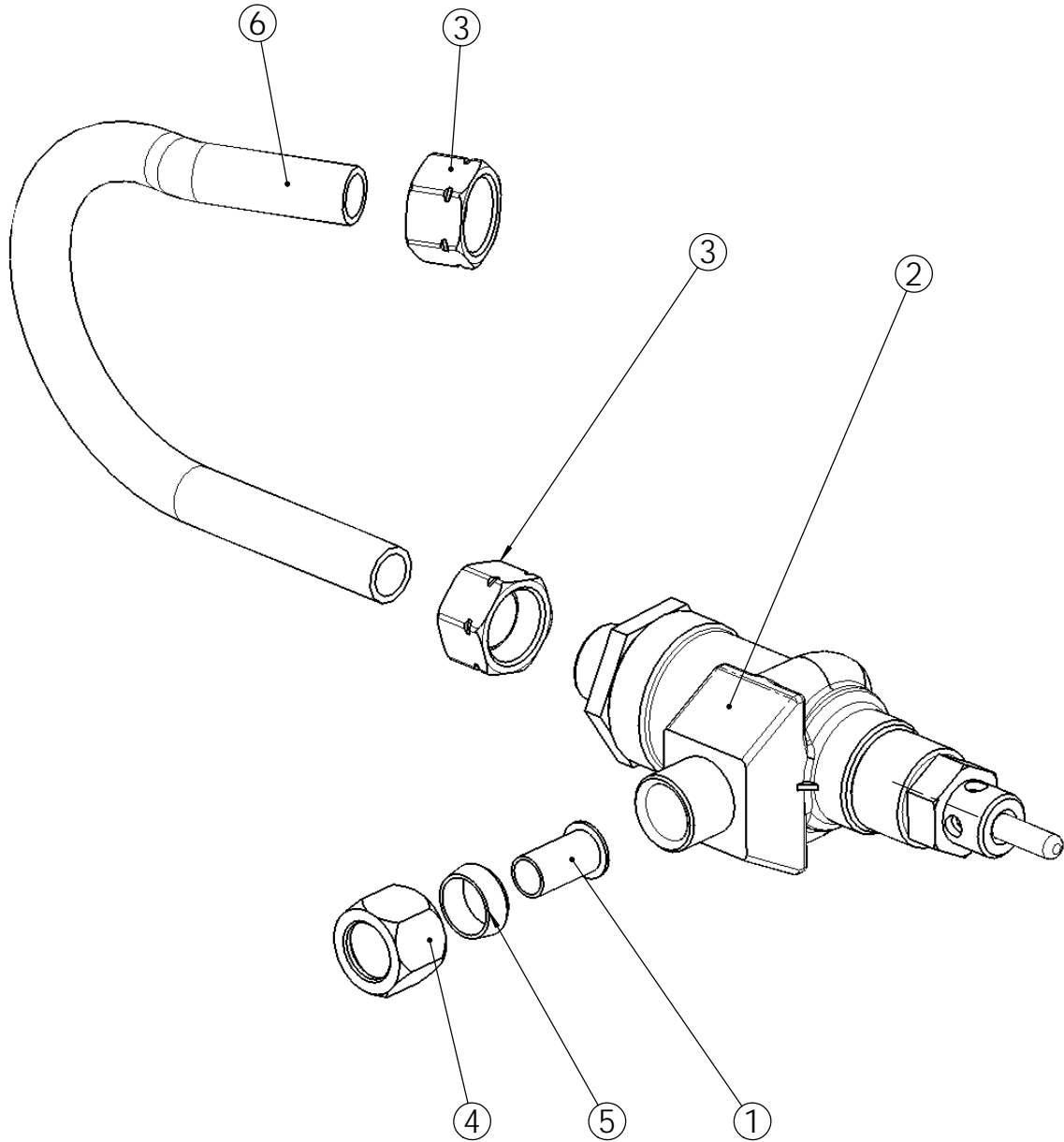


REVISIONS				
ECN	Rev.	Description	Date (dd/mm/yy)	Approved
F5030	A	CREATION	18/07/09	MAN/LD



PACKED TOGETHER

ITEM	PART NUMBER	DESCRIPTION	QTY
1	15415	FITTING, INSERT, 1/2", TUBE	1
2	24181-1.2	1.2 GPM 1700 BRINE VALVE ASSY for 2750/2850/2910	1
3	BR15414	NUT, 2900, W/SLEEVE	2
4	BR16123	NUT, BRASS	1
5	BR16124	FITTING, SLEEVE, DELRIN	1
6	BU28493	BRINE TUBE	1



Brine Valve 1700 Assy 1,2 Gpm for GRUNBECK

BU28711