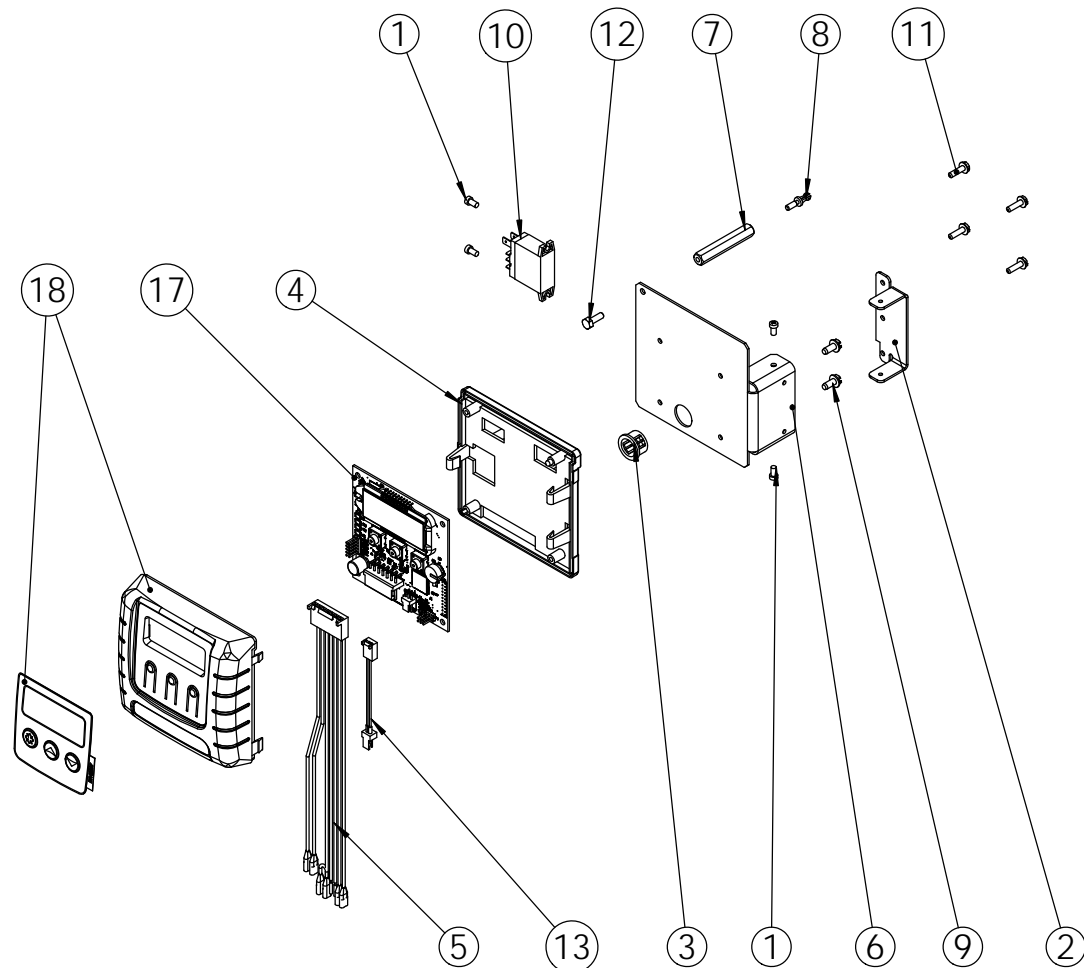


ITEM	PN	DESCRIPTION	INDUSTRIAL SXT BU28712-01 QTY	TWIN TIMER SXT BU28712-02 QTY	INDUSTRIAL TIME CLOCK SXT BU28712-03 QTY
1	11384	SCREW	4	2	4
2	BR13881	BRACKET, HINGE TIMER	1	1	1
3	17904	BUSHING HEYCO 1/2	1	-	1
4	BR19889	HOUSING, CIRCUIT BOARD	1	1	1
5	27167	HARNESS POWER SE	1	-	1
6	27168	TIMER BRACKET	1	-	1
7	27172	STAND OFF TIMER 2510	1	-	1
8	BR14265	CLIP, SPRING	1	1	1
9	BR10300	SCREW, SLOT HEX WSH, 8-18 X 3/8	2	2	2
10	BR17749-00	RELAY SPDT,24 VAC COIL	1	-	1
11	BU13296	SCREW #6-20 * 0.50 long	4	2	4
12	BU21363	SCREW TH M4x12	1	-	1
13	BU27808	METER CABLE	1	1	-
14	26983	STAND OFF TIMER 9000 SE	-	1	-
15	26982	MOUNTING BRACKET TIMER	-	1	-
16	BU28528	HARNESS POWER SE TIMER 9000/9500	-	1	-
17	BR42766-02	CIRCUIT BOARD,SXT,PROGRAMMED METER DELAYED	1	1	1
18	BU28714	FRONT PANEL with LABEL ASSY, SXT	1	1	1

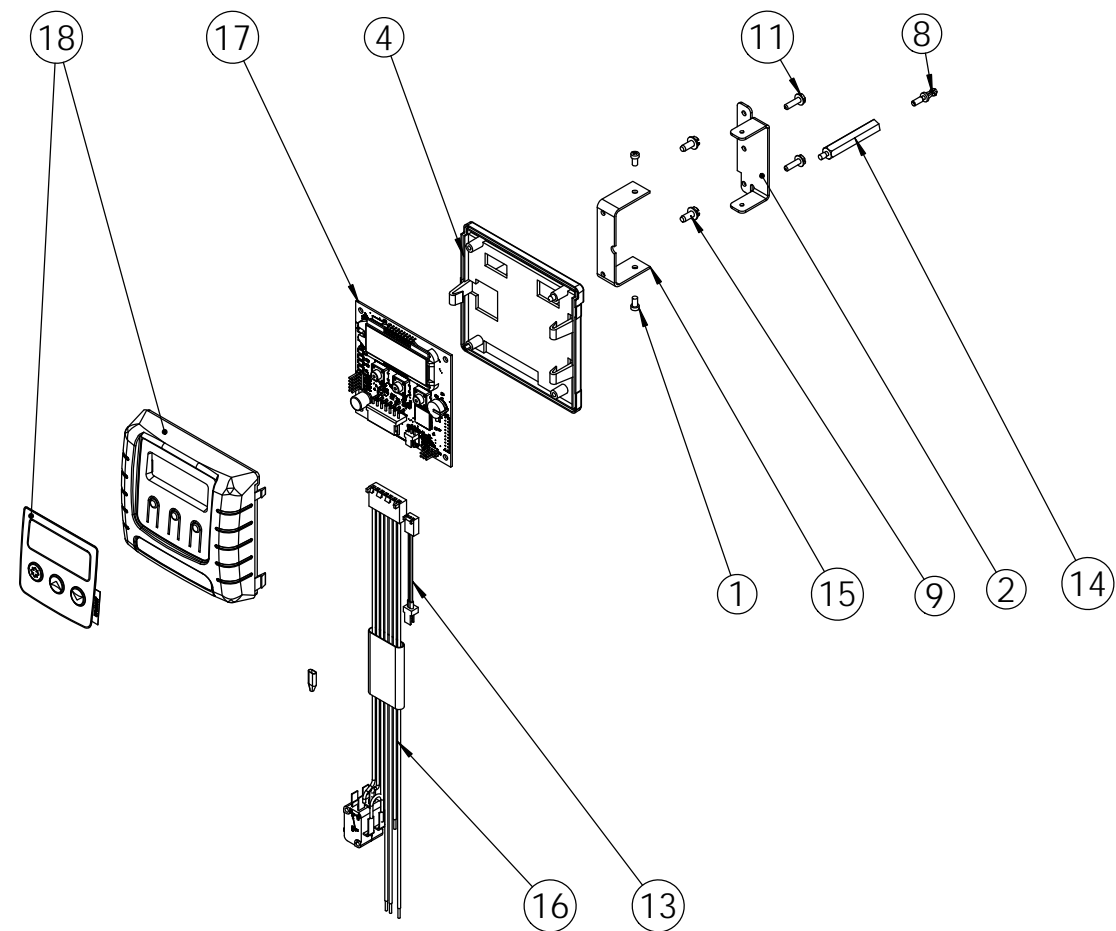
REVISIONS				
ECN	Rev.	Description	Date (dd/mm/yy)	Approved
F5035	A	CREATION	24/07/09	LD
F5038	B	ITEM #18 : BU28714 was (BR42635-01+BR42637)	29/07/2009	MP/LD
	C	Added BU28712-03	05/09/2012	CHT

PART	DESIGNATION	USED ON
BU28712-01	INDUSTRIAL TIMER, SXT, 2510/2750/2850/2910	2510/2750/2850/2910, ECO & SP
BU28712-02	TWIN TIMER, SXT, 9000/9100/9500	9000/9100/9500
BU28712-03	INDUSTRIAL TIMER, TIME CLOCK, SXT, 2510/2750/2850/2910	2510/2750/2850/2910, TC

2510/2750/2850/2910 INDUSTRIAL TIMER



9000/9100/9500 TWIN TIMER



INDUSTRIAL TIMER SXT ASSY

BU28712-XX
Chapitre 24