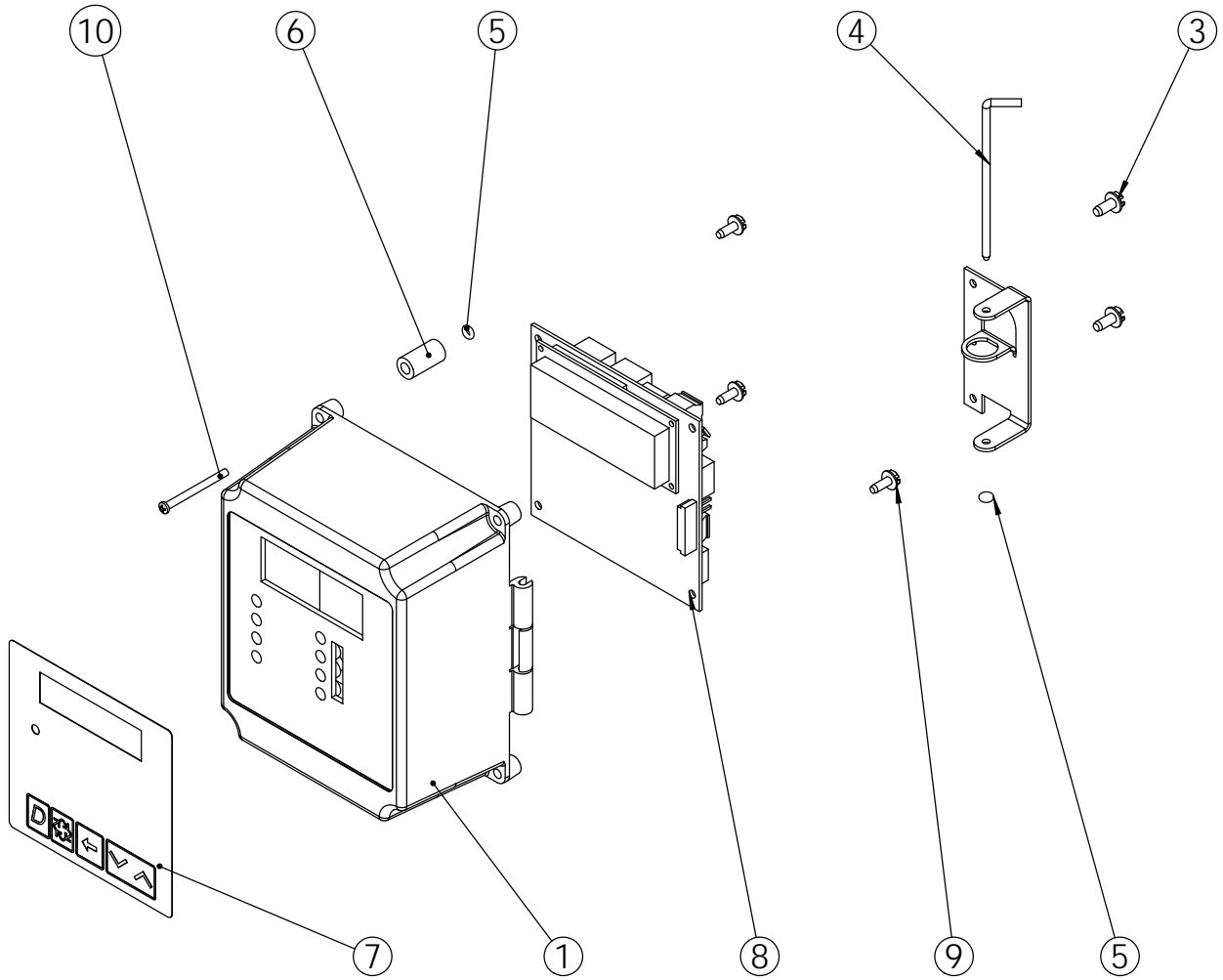


REVISIONS				
ECN	Rev.	Description	Date (dd/mm/yy)	Approved
F5036	A	Created on Solidworks	24/07/09	LD
F5277	B	P/N BR61702-01 was BR61702	04/11/2010	MP
F5480	C	P/N BR61702-03 was BR61702-01	26/04/2012	CHT



ITEM	PART NO.	QTY	DESCRIPTION
1	18741-01	1	HOUSING, RIGHT HINGE, CIRCUIT BOARD
2	18749	1	BRACKET, HINGED 6700ET
3	BR10300	2	SCREW, SLOT HEX WSH, 8-18 X 3/8
4	BR14723	1	PIN, HINGE
5	BR15159	2	O-RING, -005
6	BR18814	1	SPACER, ELECTRONIC HOUSING
7	BR42138	1	LABEL, 3200 NXT, DIAGNOSTICS
8	BR61702-03	1	CIRCUIT BOARD ASSY, NXT MULTI-
9	BU17020	3	SCREW, HEX WASHER HEAD, #6-20 X .38
10	BU28287	1	TIMER SCREW



TIMER 3200 NXT ASSY

BU28713

CHAP.24