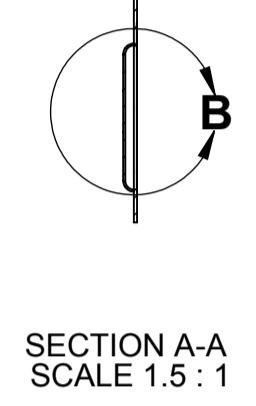
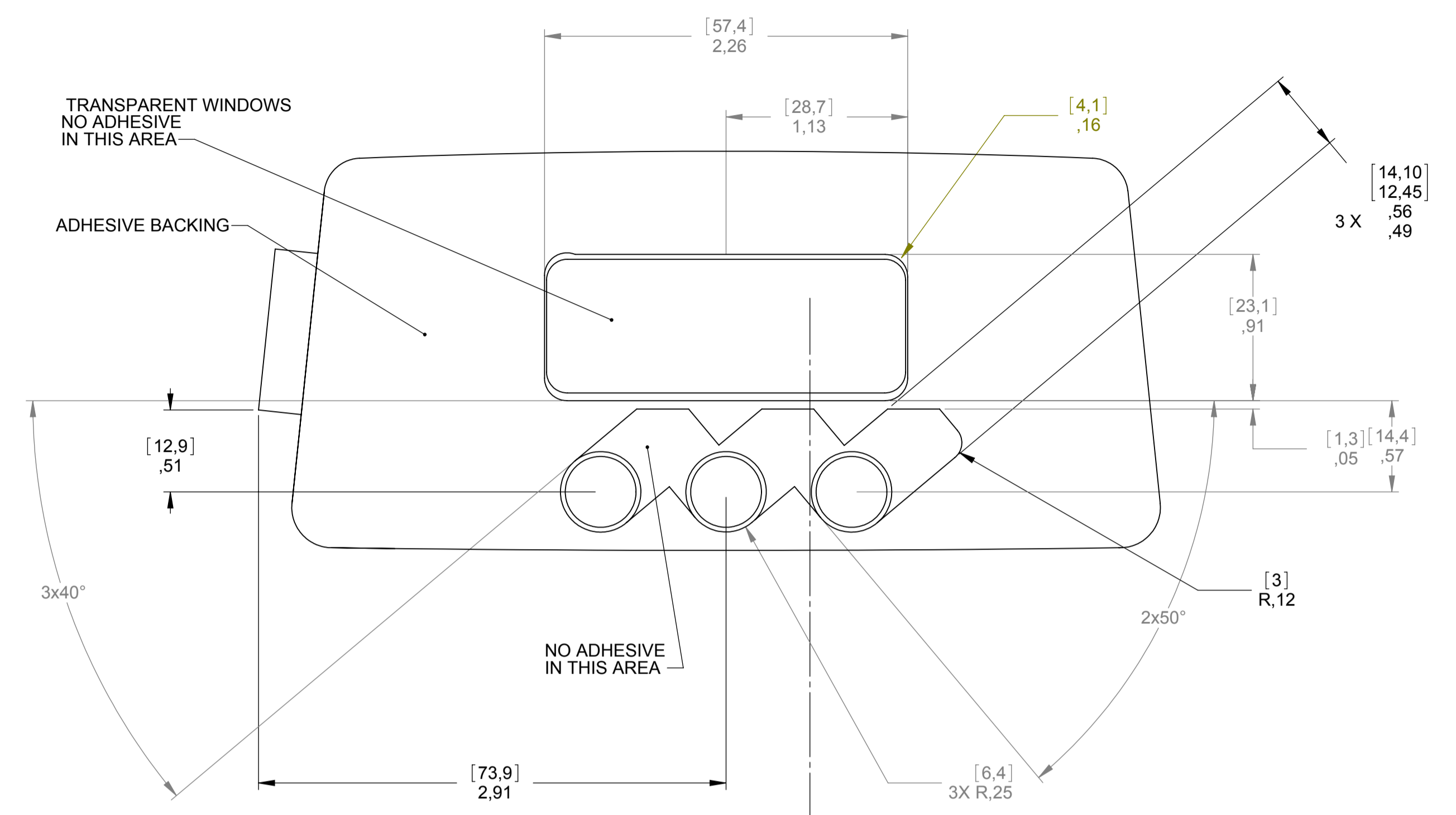
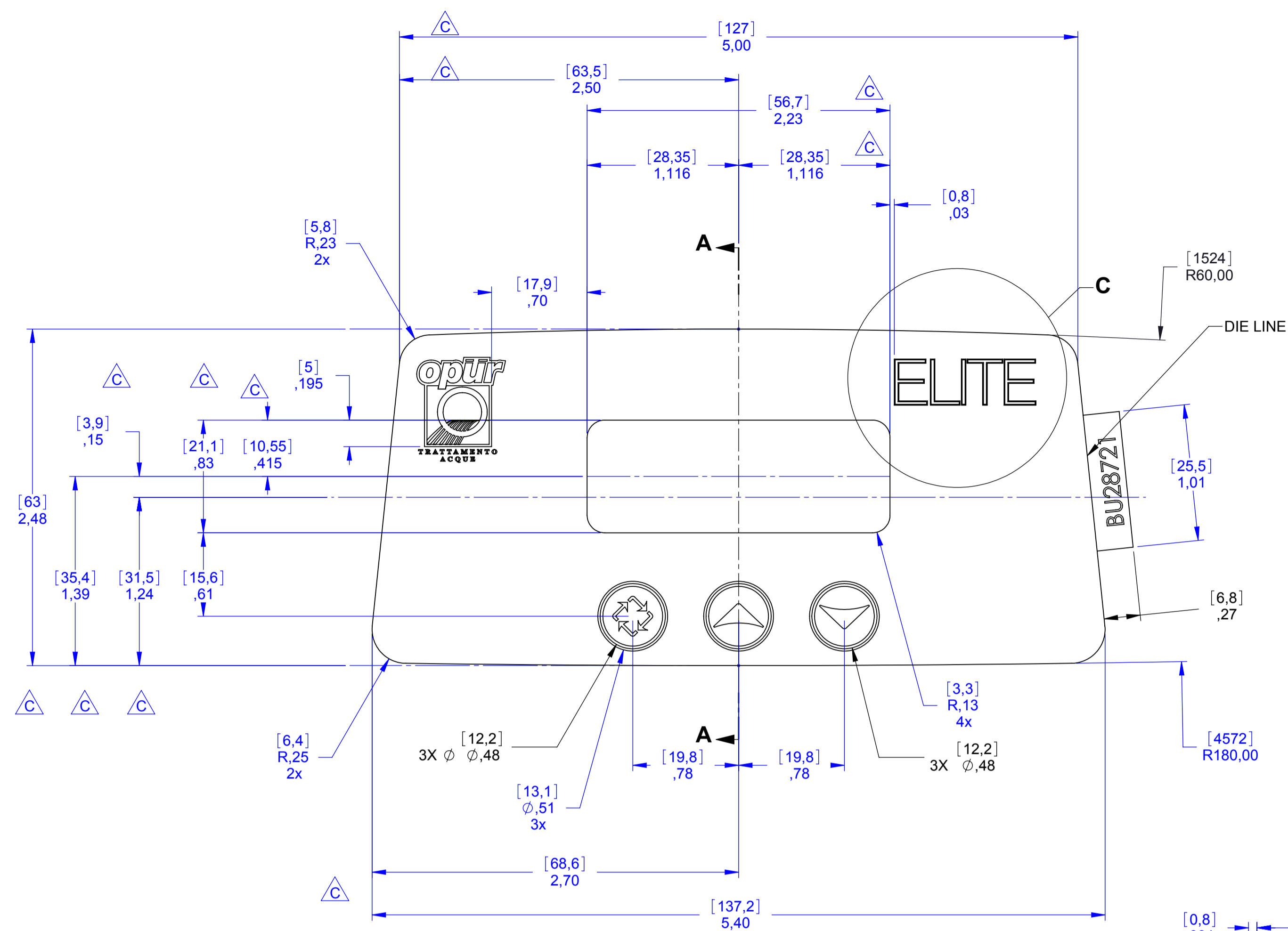
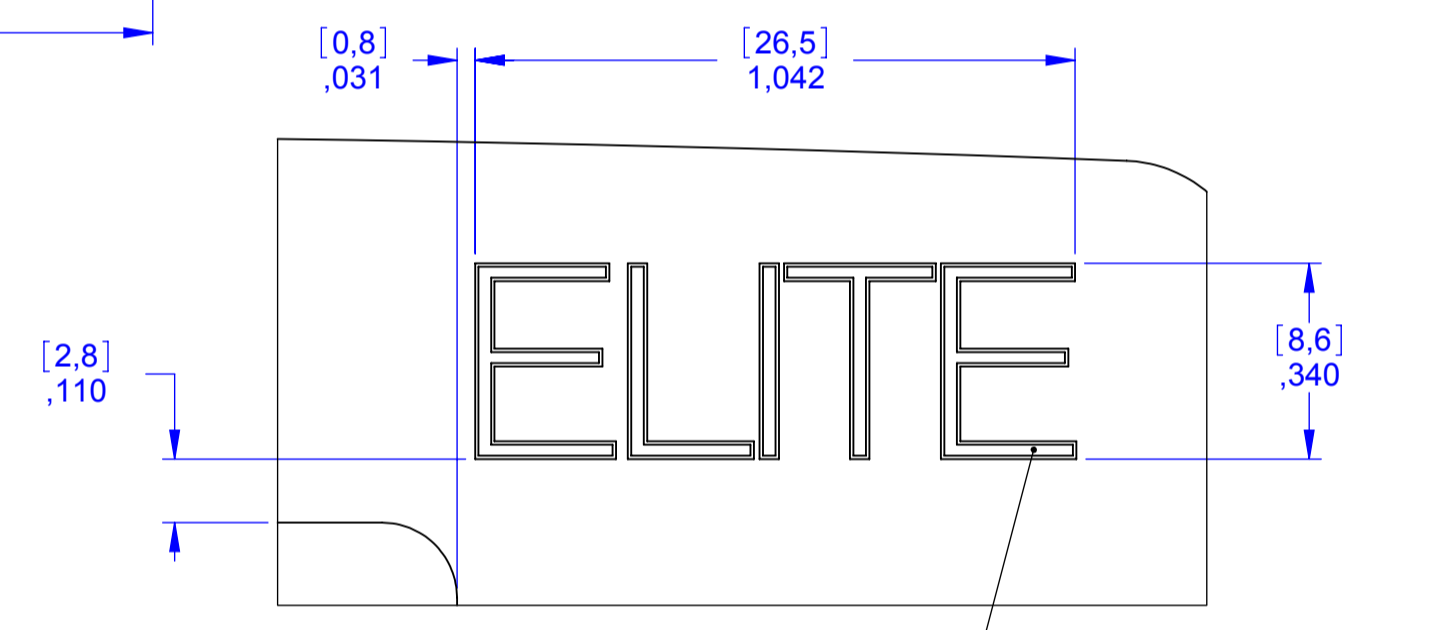


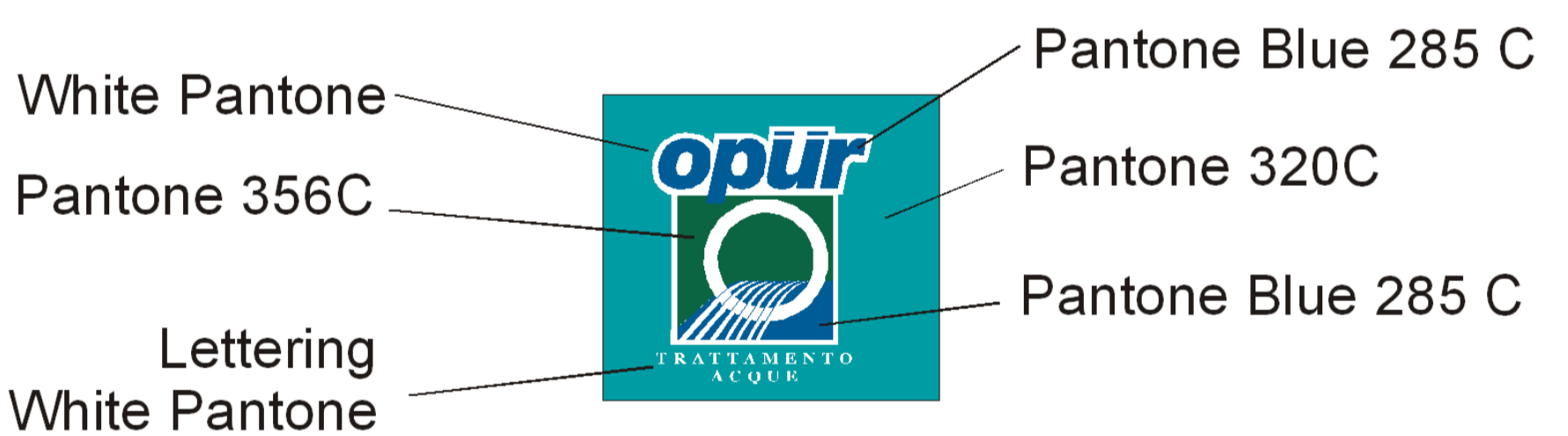
REVISIONS				
ECN	Rev.	Description	Date (dd/mm/yyyy)	Approved
F5073	A	CREATION	30/10/09	MP/LD
F5089	B	UPDATED DRAWING * Add Pantone 317C Color*		
F5099	C	UPDATED DIMS * Window Dims 56,7 x 21,1 was 57,2 x 21,6 * Global Dims 137,2 x 63,0 was 137,7 x 62,0 * Add "Center Line" Windows Dim : 35,2 x 68,6	23/12/2009	MAN



DÉTAIL C  
ECHELLE 3 : 1

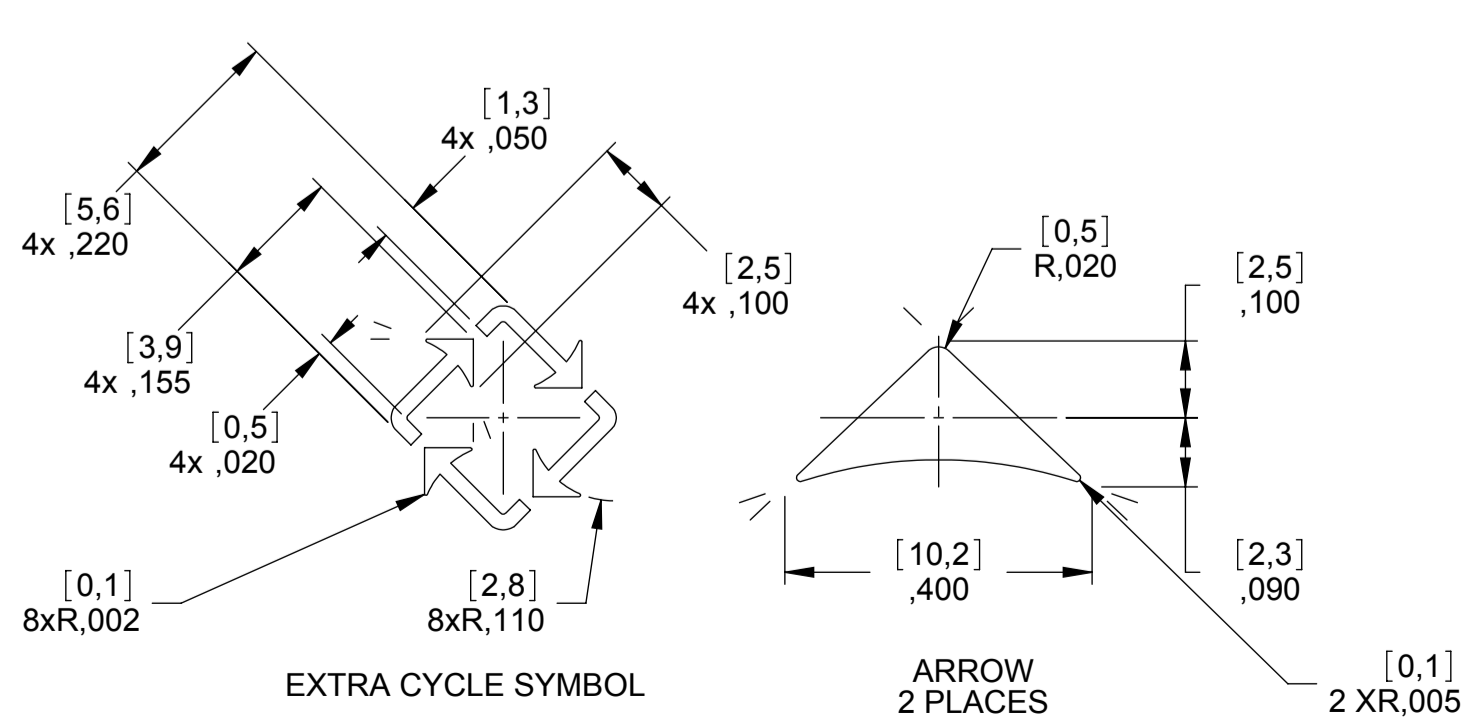
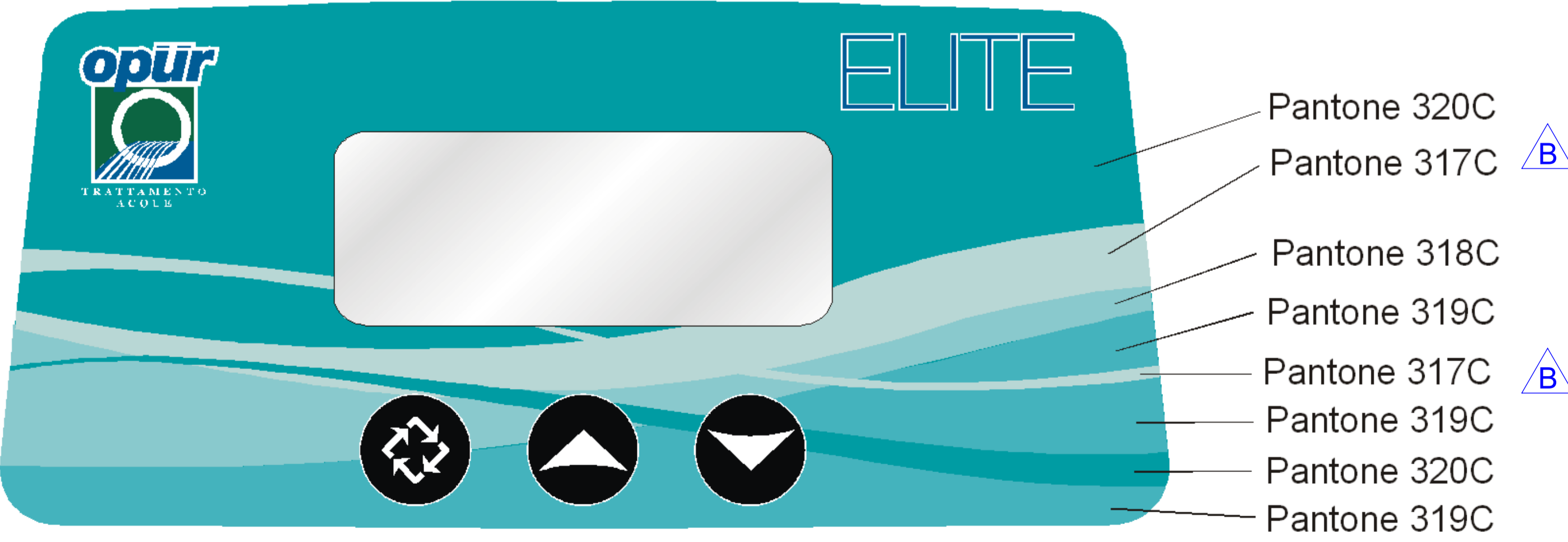
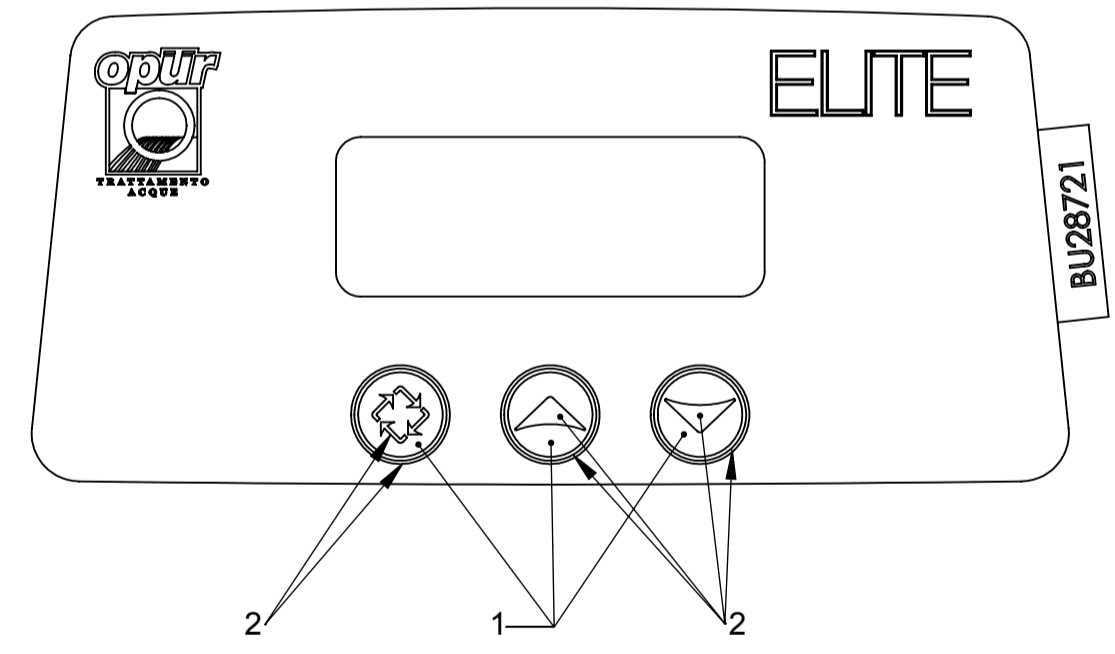
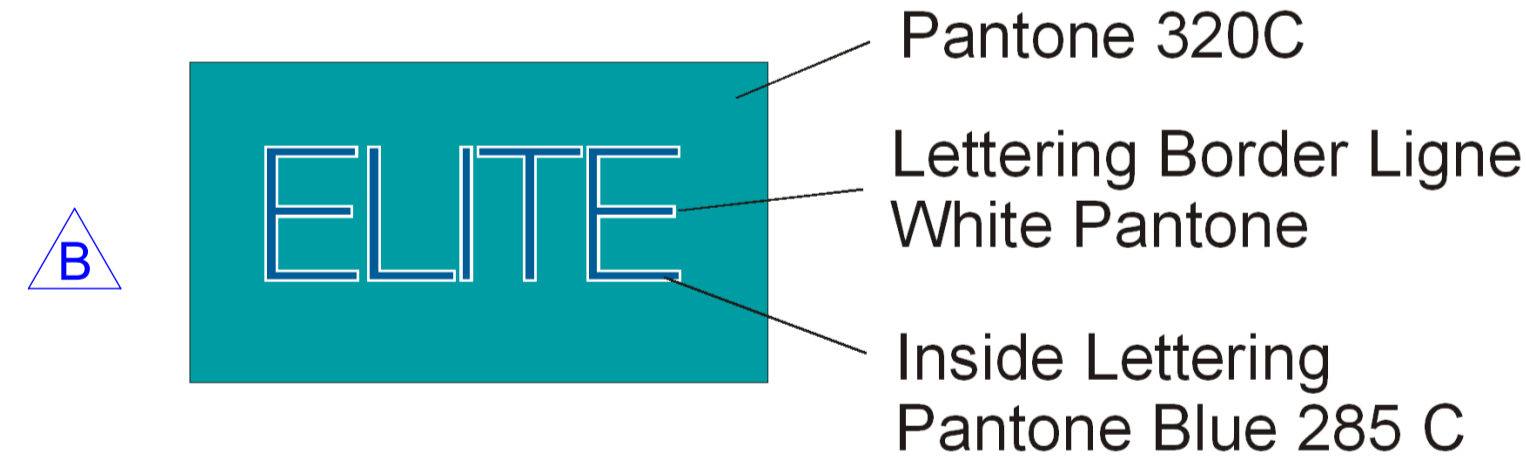
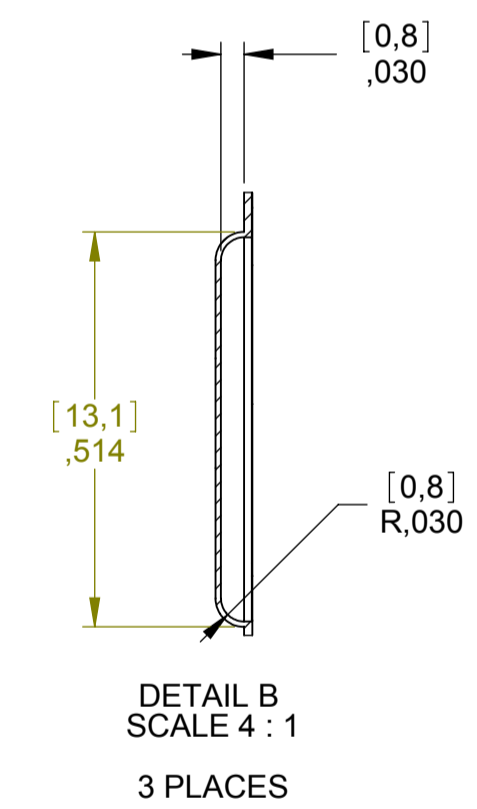


DETAIL LOGO "OPUR"  
SCALE 2/1



COLOR GUIDE

COLOR NO	DESCRIPTION
1	PANTONE PROCESS BLACK
2	PANTONE WHITE



- NOTES:
- MATERIAL: PER PENTAIR SPECIFICATION MS8987 - 0.007" CLEAR POLYESTER WITH 3M 7952 ADHESIVE APPLIED AS NOTED.
  - SURFACE TEXTURE: SEE TEXTURE GUIDE.
  - PRINT COLORS: SEE COLOR GUIDE.
  - SAMPLE ARTWORK TO BE APPROVED BY PENTAIR ENGINEERING.
  - NO CRITICAL DIMENSIONS.

THIRD ANGLE PROJECTION		SEE NOTES		Pentair Water	
Material	Material	Date (dd/mm/yyyy)	Scale	Title	Label, CABINET SOFTFO SXT, OPUR
Drawn	MAN	29/10/2009	1:1	Filename	BU28721
Approved	LD	29/10/2009	A1	Page	BU28721
				Weight (kg)	X
				Sheet	1 of 1
				Draw#	BU28721