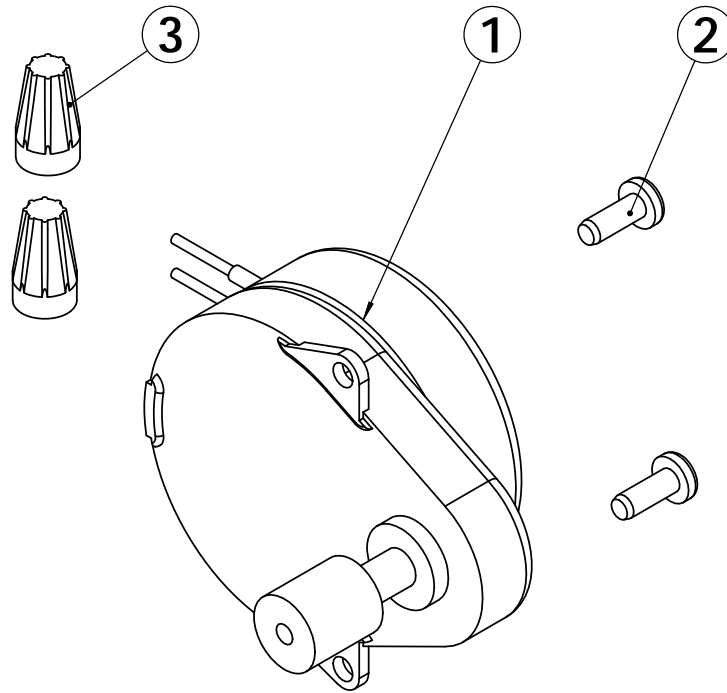


REVISIONS				
ECN	Rev.	Description	Date (dd/mm/yy)	Approved
	A	Created on solidworks	15/10/09	LD
	B	BU28777 was BR40422	21/11/11	CHT



ITEM	PN	DESCRIPTION	QTY
1	40251	MOTOR, 24V - 50/60HZ	1
2	19160	SCREW, #6-32 X 3/8 PAN HEAD	2
3	BU28777	Wire Nut Tan	2



Timer Motor assy 24V/50Hz 5000

BU28722

CHAP. 29