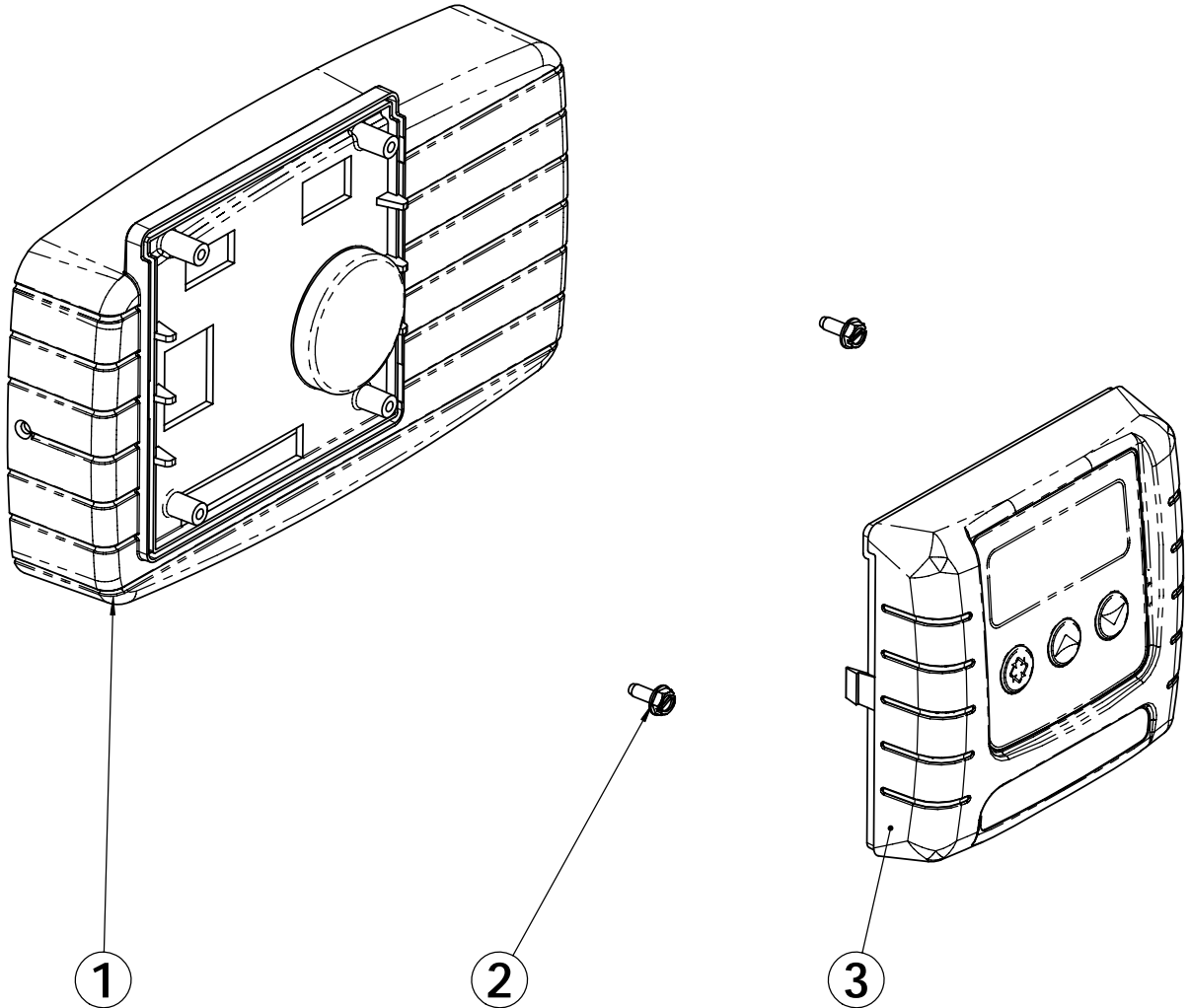


REVISIONS				
ECN	Rev.	Description	Date (dd/mm/yy)	Approved
F5064	A	CREATION	14/10/09	MP/LD



ITEM	QTY	PART NUMBER	DESCRIPTION
1	1	BR19472-02	HOUSING, CIRCUIT BOARD, BLACK
2	2	BU17020	SCREW, HEX WASHER HEAD, #6-20 X .38
3	1	BU28702	RETROFIT KIT SXT



FRONT PANEL ASSY 5600 SXT WITH LABEL

BU28723