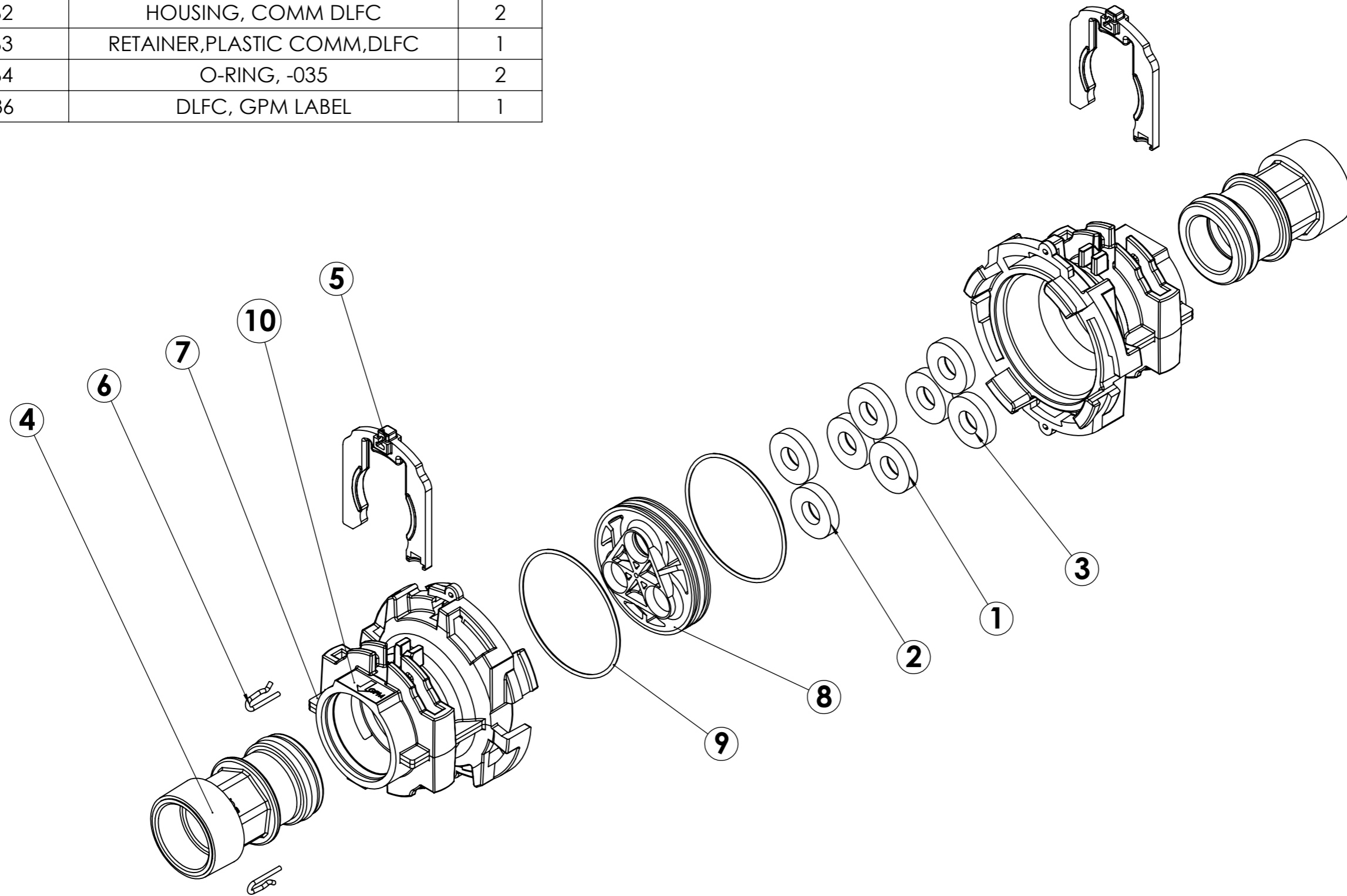


ITEM	PN	DESCRIPTION	QTY
1	16528	FLOW CONTROL WASHER 20 GPM	3
2	16736	FLOW CONTROL WASHER 15 GPM	2
3	16737	FLOW CONTROL WASHER 25 GPM	3
4	40565-11	YOKE 1"1/4 BSP, 7000	2
5	40576	CLIP, H, PLASTIC, 7000	2
6	BR10909	PIN, CONNECTING ROD SPRING	2
7	BR42362	HOUSING, COMM DLFC	2
8	BR42363	RETAINER, PLASTIC COMM, DLFC	1
9	BR42364	O-RING, -035	2
10	BU28736	DLFC, GPM LABEL	1

REVISIONS				
ECN	Rev.	Description	Date (dd/mm/yy)	Approved
	a	CREATED ON SOLIDWORKS	30/10/09	LD



DLFC ASSY, 1"1/4

BU28732
CHAP. 07