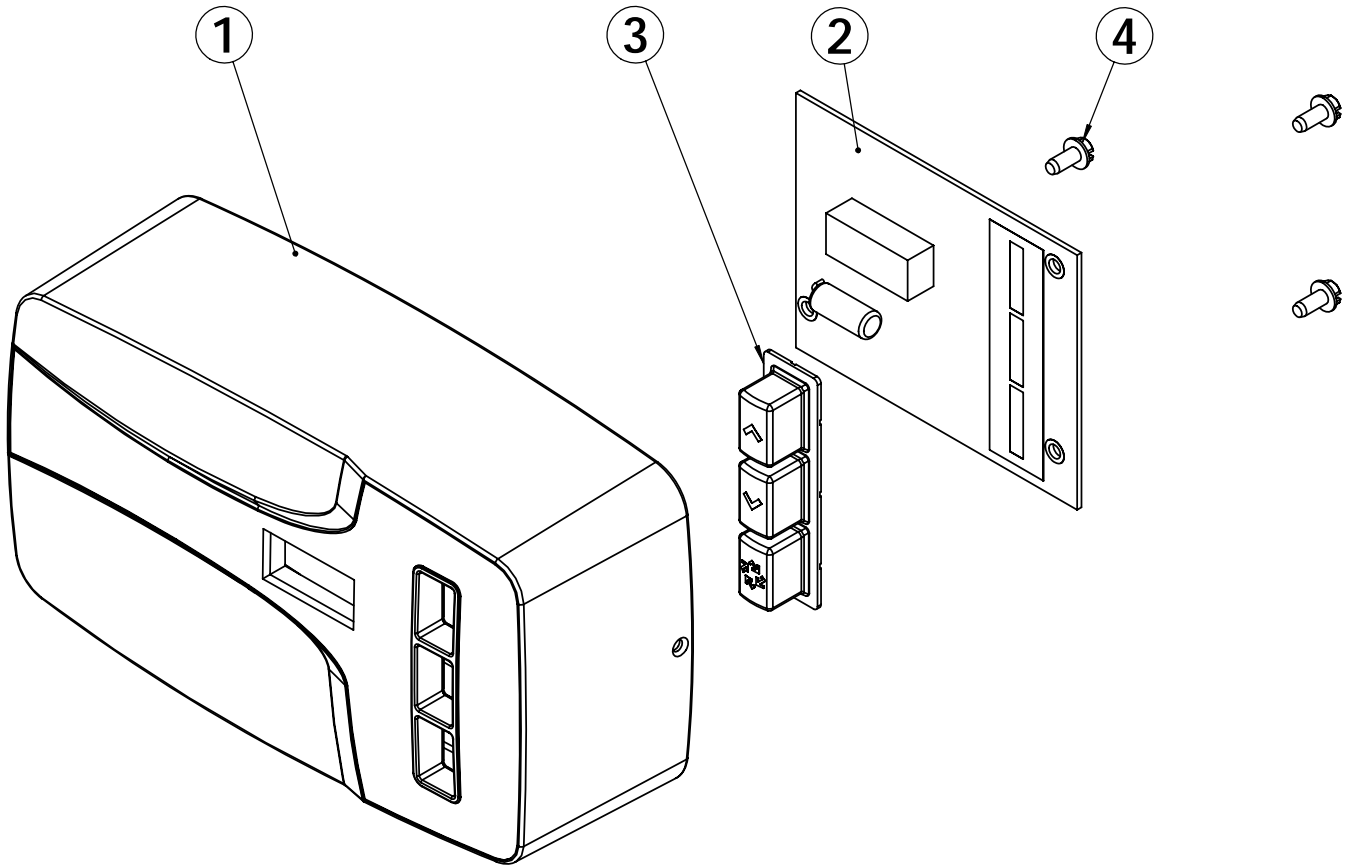


REVISIONS				
ECN	Rev.	Description	Date (dd/mm/yy)	Approved
	A	CREATED ON SOLIDWORKS	16/11/09	LD



ITEM	PN	DESCRIPTION	QTY
1	BU28645	FRONT PANEL 5600 ES	1
2	28036	CIRCUIT BOARD FOR NEW DESIGN	1
3	28035	PAD BUTTON VERTICAL	1
4	BR17798	SCREW, HEX WASHER HEAD, #8-16 X .38	3



FRONT PANEL ASSY 4600/5600 ES DIMM

BU28738

CHAP. 28