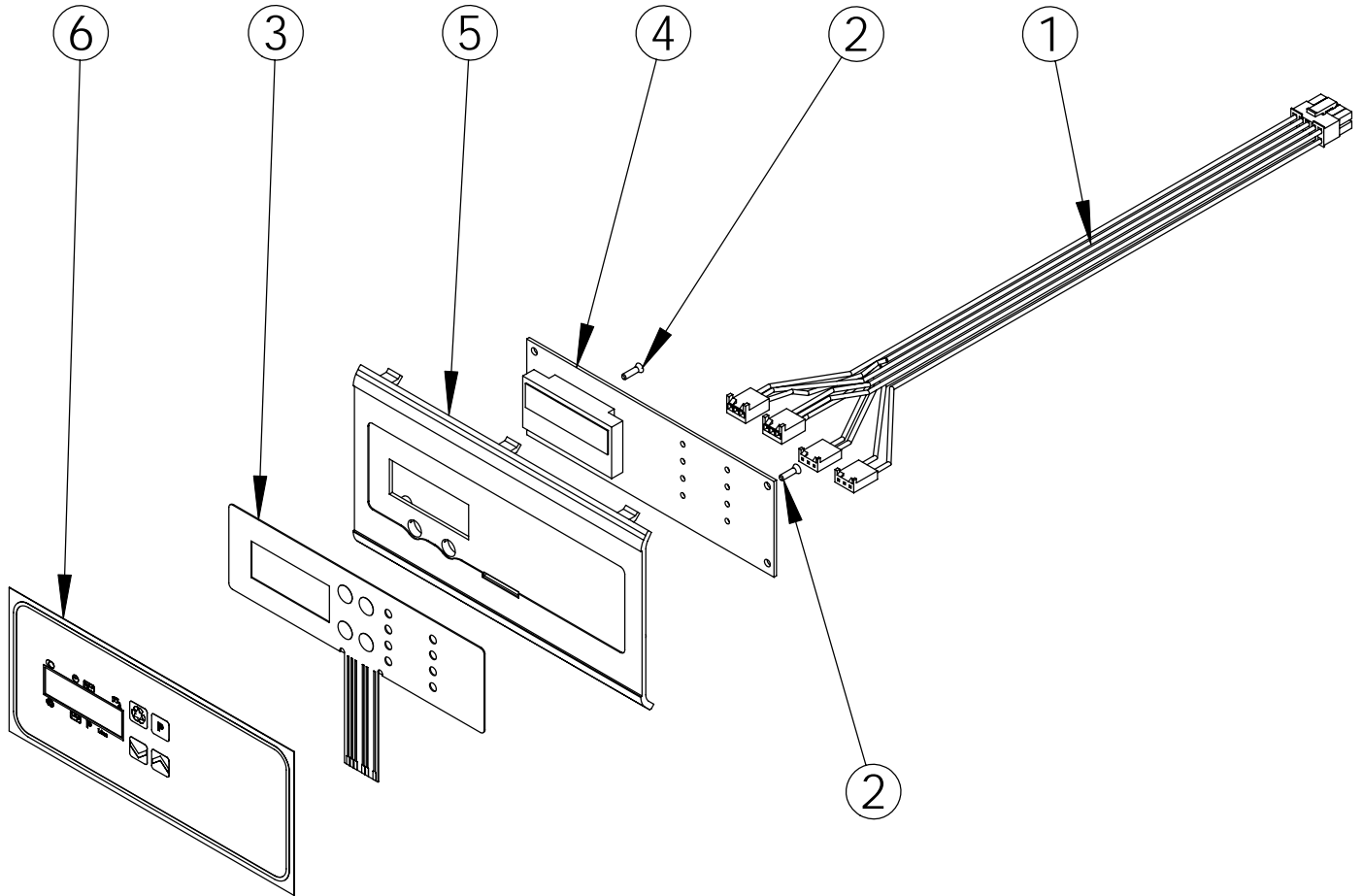


REVISIONS				
ECN	Rev.	Description	Date (dd/mm/yy)	Approved
F5180	A	Created on solidworks	10/05/10	CHT



ITEM	PN	DESCRIPTION	QTY
1	26664	WIRE HARNES, ELECTRONIC CARD	1
2	BU13898	SCREW 4-24	2
3	BU19083	PAD, SWITCH-7 DIGIT, 6700	1
4	BU28530	Circuit board 6600/6700GFX 24V 1 Relay	1
5	BU28593	FRONT PANEL BAYARD	1
6	BU28755	FRONT LABEL 6720 FILADOS	1



Front Panel Assy 6720 FILADOS

BU28754
CHAP. 28