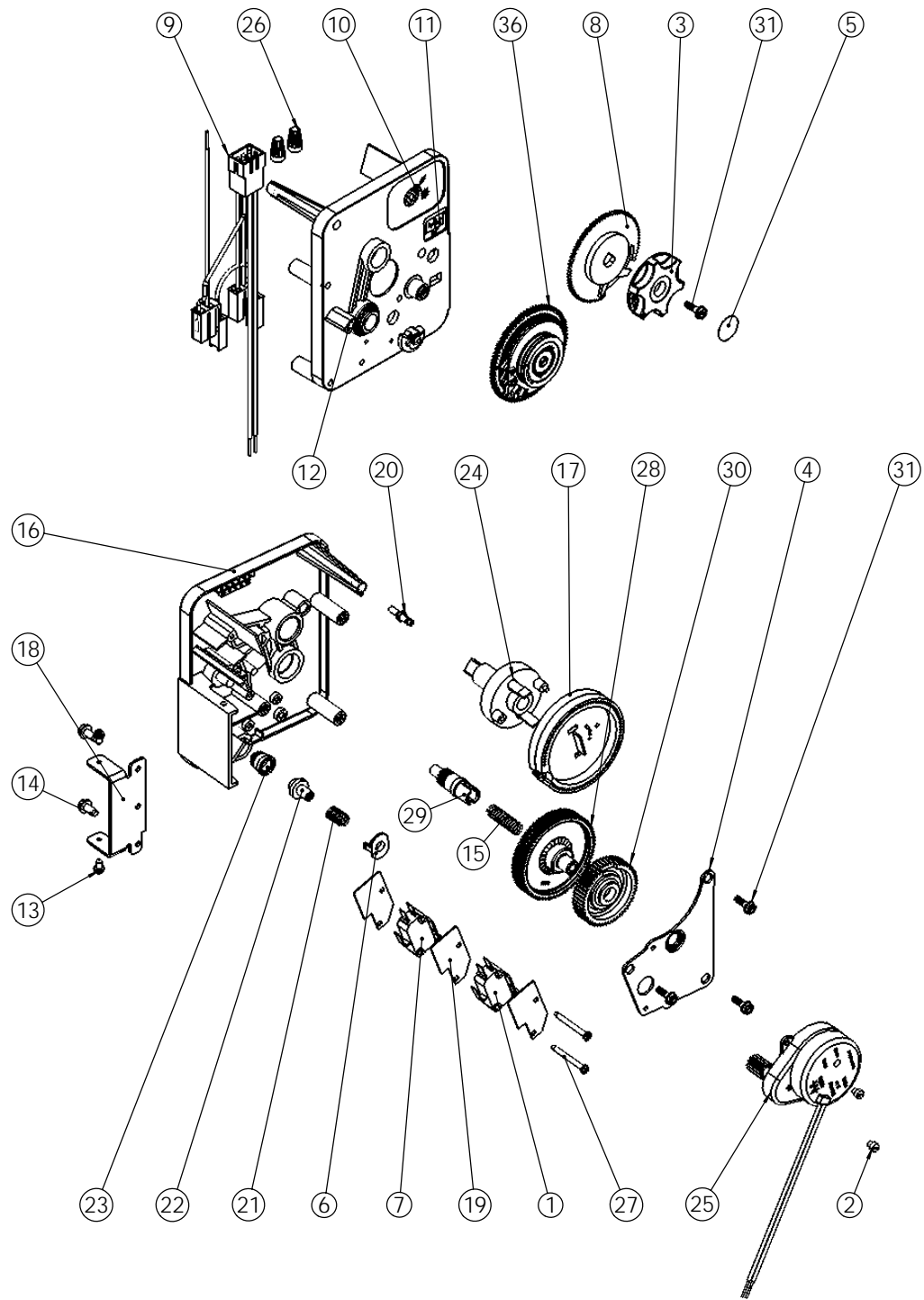


REVISIONS				
ECN	Rev.	Description	Date (dd/mm/yy)	Approved
F5208	A	Created on Solidworks	21/06/10	CHT



ITEM	PN	DESCRIPTION	BU28760-40 Qty	BU28760-75 Qty	BU28760-240 Qty	BU28760-375 Qty	BU28760-1200 Qty
1	10896	MICROSWITCH	1	1	1	1	1
2	13278	SCREW MOTOR MOUNTING	2	2	2	2	2
3	13886	KNOB 3200 TIMER	1	1	1	1	1
4	13887	PLATE, MOTOR MOUNTING	1	1	1	1	1
5	13953	COVER UP DISC LABEL	1	1	1	1	1
6	14253	RETAINER, CLUTCH SPRING	1	1	1	1	1
7	15314	MICROSWITCH	1	1	1	1	1
8	15431	GEAR CYCLE ACTUATOR	1	1	1	1	1
9	25829	WIRE HARNESS TIMER 3240	1	1	1	1	1
10	26847	INSTRUCTION LABEL	1	1	1	1	1
11	26848	INDICATOR LABEL	1	1	1	1	1
12	26870	LABEL PICTOGRAM	1	1	1	1	1
13	26885	SCREW	2	2	2	2	2
14	BR10300	SCREW, SLOT HEX WSH, 8-18 X 3/8	2	2	2	2	2
15	BR13312	IDLER SHAFT SPRING	1	1	1	1	1
16	BR13870	HOUSING, TIMER, 3200	1	1	1	1	1
17	BR13880-04	PROGRAM WHEEL, 3200 MACHINED	1	1	1	1	1
18	BR13881	BRACKET, HINGE TIMER	1	1	1	1	1
19	BR14087	INSULATOR	3	3	3	3	3
20	BR14265	CLIP, SPRING	1	1	1	1	1
21	BR14276	SPRING, METER, CLUTCH	1	1	1	1	1
22	BR14501	CLUTCH, DRIVE PINION	1	1	1	1	1
23	BR14502	PROGRAM WHEEL, PINION DRIVE	1	1	1	1	1
24	BR15055	GEAR, MAIN DRIVE, TIMER	1	1	1	1	1
25	BR15443	MOTOR, 120V-60HZ 1/30 RPM	1	1	1	1	1
26	BR40422	WIRE NUT	2	2	2	2	2
27	BU11413	SCREW 2.9x32	2	2	2	2	2
28	BU13017	IDLER GEAR	1	1	1	1	1
29	BU13018	IDLER SHAFT	1	1	1	1	1
30	BU13164	GEAR, DRIVE	1	1	1	1	1
31	BU13296	SCREW #6-20 * 0.50 long	4	4	4	4	4
32	25693	Program Wheel 240 m3 Assy 3900	-	-	-	-	1
33	25692	Program Wheel 240 m3 Assy 3900	-	-	1	-	-
34	24535	375 m3 PROGRAM WHEEL ASSY 2900/3150	-	-	-	1	-
35	24120	Program Wheel 40 m3 Assy 1550/2750/4600/5600E	1	-	-	-	-
36	24536	75m3 PROGRAM WHEEL ASSY 2950/3150	-	1	-	-	-



TIMER 3240 ASSY 230V

**BU28760**  
CHAP.24