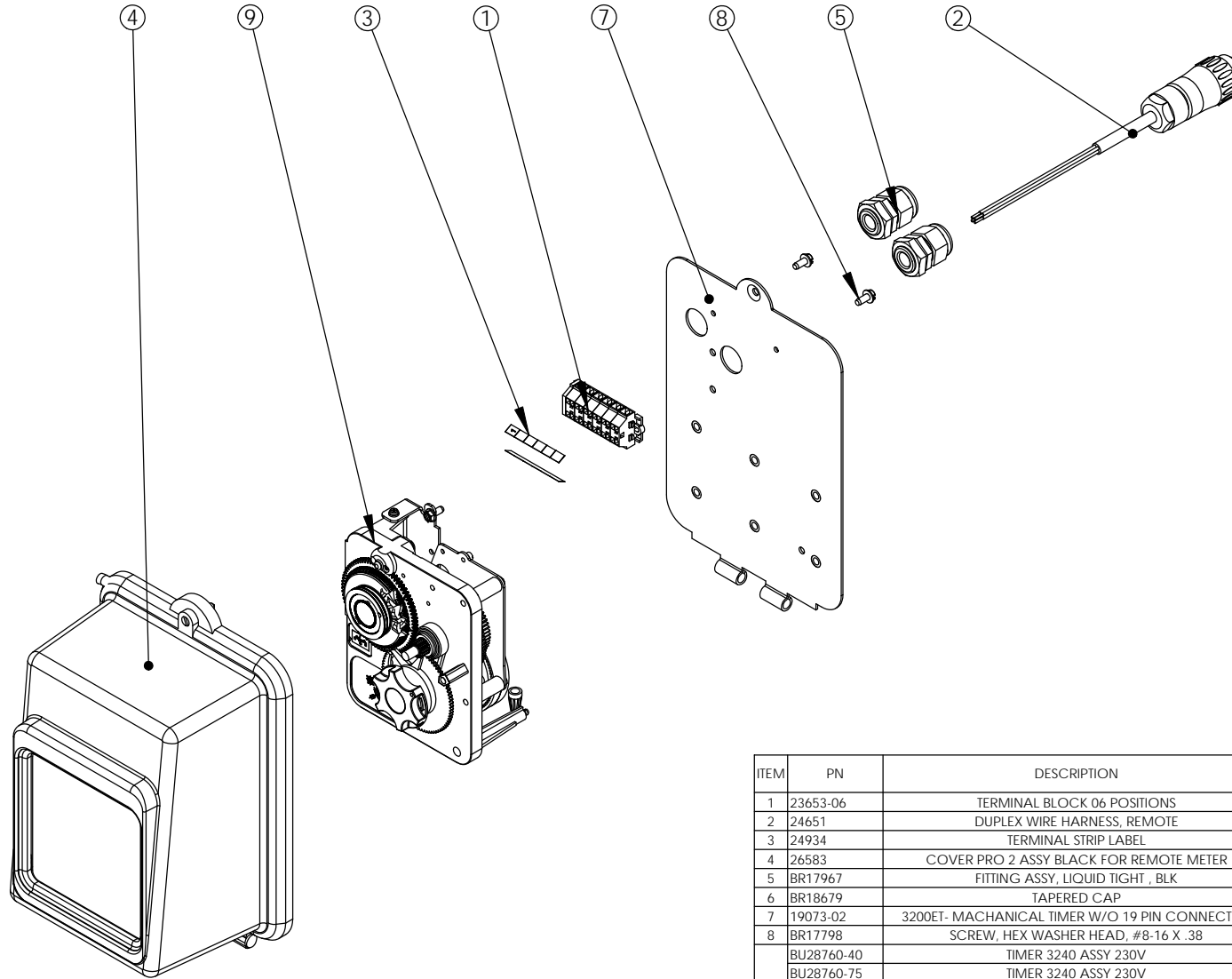


REVISIONS				
ECN	Rev.	Description	Date (dd/mm/yy)	Approved
	A	Created on Solidworks	21/06/10	CHT
F5313	B	ADD -75 Version	25/01/2011	MP
F5448	C	BR17798 (x2) was BU13296 (x2)	15/02/2012	MAN



ITEM	PN	DESCRIPTION	BU28761-40 Qty	BU28761-75 Qty	BU28761-240 Qty	BU28761-375 Qty	BU28761-1200 Qty
1	23653-06	TERMINAL BLOCK 06 POSITIONS	1	1	1	1	1
2	24651	DUPLEX WIRE HARNESS, REMOTE	1	1	1	1	1
3	24934	TERMINAL STRIP LABEL	2	2	2	2	2
4	26583	COVER PRO 2 ASSY BLACK FOR REMOTE METER	1	1	1	1	1
5	BR17967	FITTING ASSY, LIQUID TIGHT , BLK	2	2	2	2	2
6	BR18679	TAPERED CAP	1	1	1	1	1
7	19073-02	3200ET- MACHANICAL TIMER W/O 19 PIN CONNECTOR	1	1	1	1	1
8	BR17798	SCREW, HEX WASHER HEAD, #8-16 X .38	2	2	2	2	2
	BU28760-40	TIMER 3240 ASSY 230V	1	-	-	-	-
	BU28760-75	TIMER 3240 ASSY 230V	-	1	-	-	-
9	BU28760-240	TIMER 3240 ASSY 230V	-	-	1	-	-
	BU28760-375	TIMER 3240 ASSY 230V	-	-	-	1	-
	BU28760-1200	TIMER 3240 ASSY 230V	-	-	-	-	1



PH RM Duplex #6 & 2910 230V/50 Hz

BU28761-XX
CHAP. 06