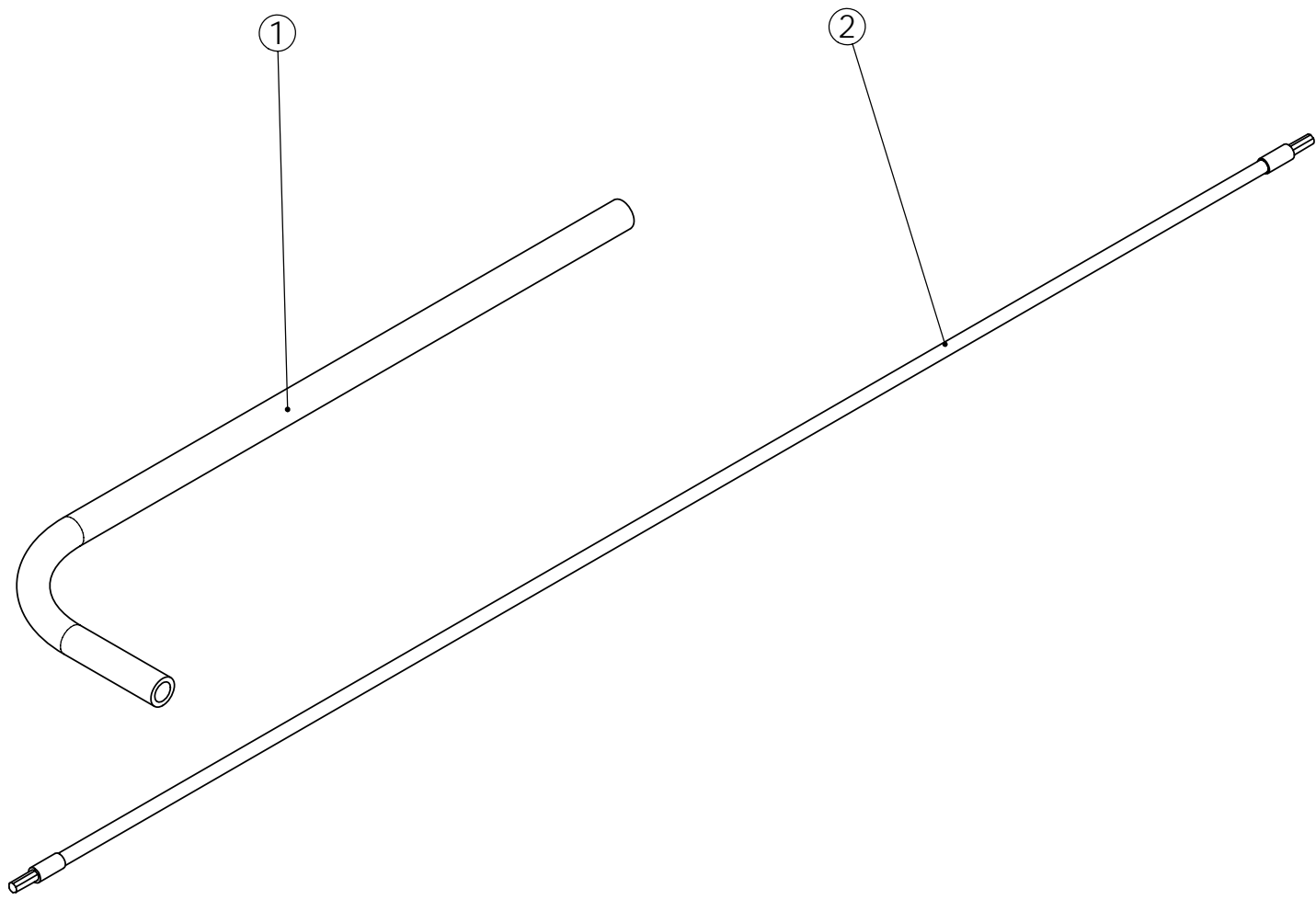


REVISIONS				
ECN	Rev.	Description	Date (dd/mm/yy)	Approved
F5283	B	REDRAWN ON SOLIDWORKS	18/11/10	MP



ITEM	P/N	QTY	DESCRIPTION
1	18717	1	GUIDE METER CABLE, 3" METER
2	17744	1	METER FLEXIBLE ASSY



GUIDE CABLE ASSY 9500

BU28770