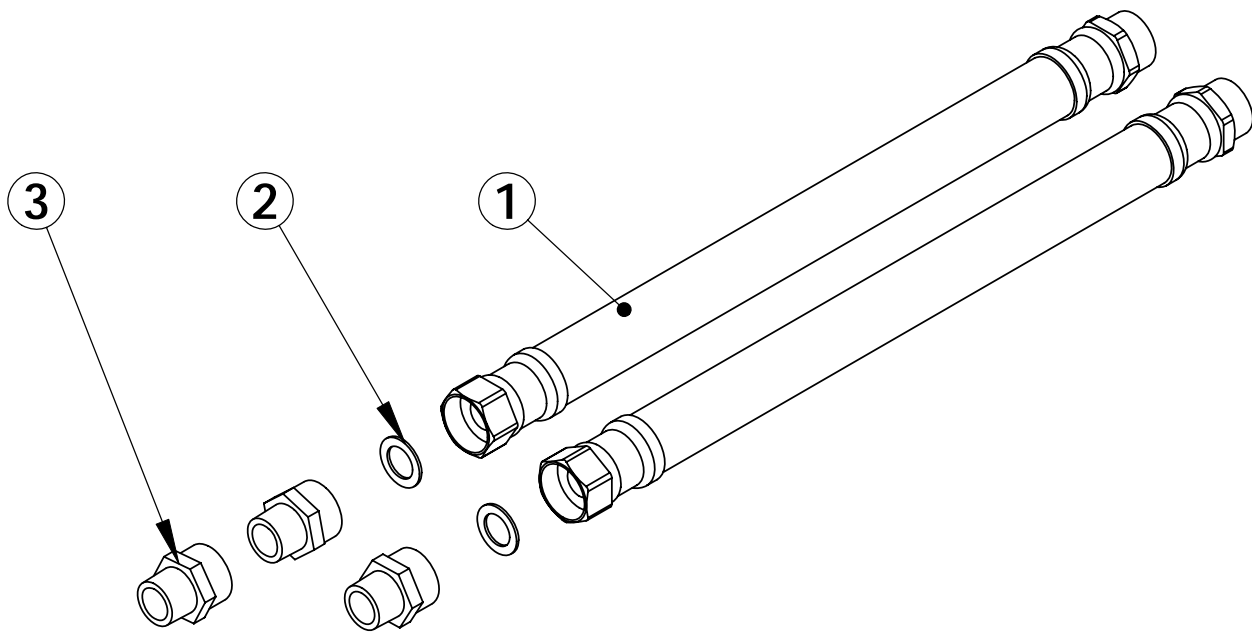


REVISIONS				
ECN	Rev.	Description	Date (dd/mm/yy)	Approved
	a	Created on Solidworks	11/01/11	CHT



EACH KIT MUST BE PACKED INDIVIDUALLY

ITEM	PN	DESCRIPTION	QTY
1	24278	FLEXIBLE 500 mm	2
2	BU11206	FITTING GASKET	2
3	BU28774	Adapter Male 1" / 3/4 "	3



Kit Flexible Tube for 5000 Haier

BU28775
CHAP. 28