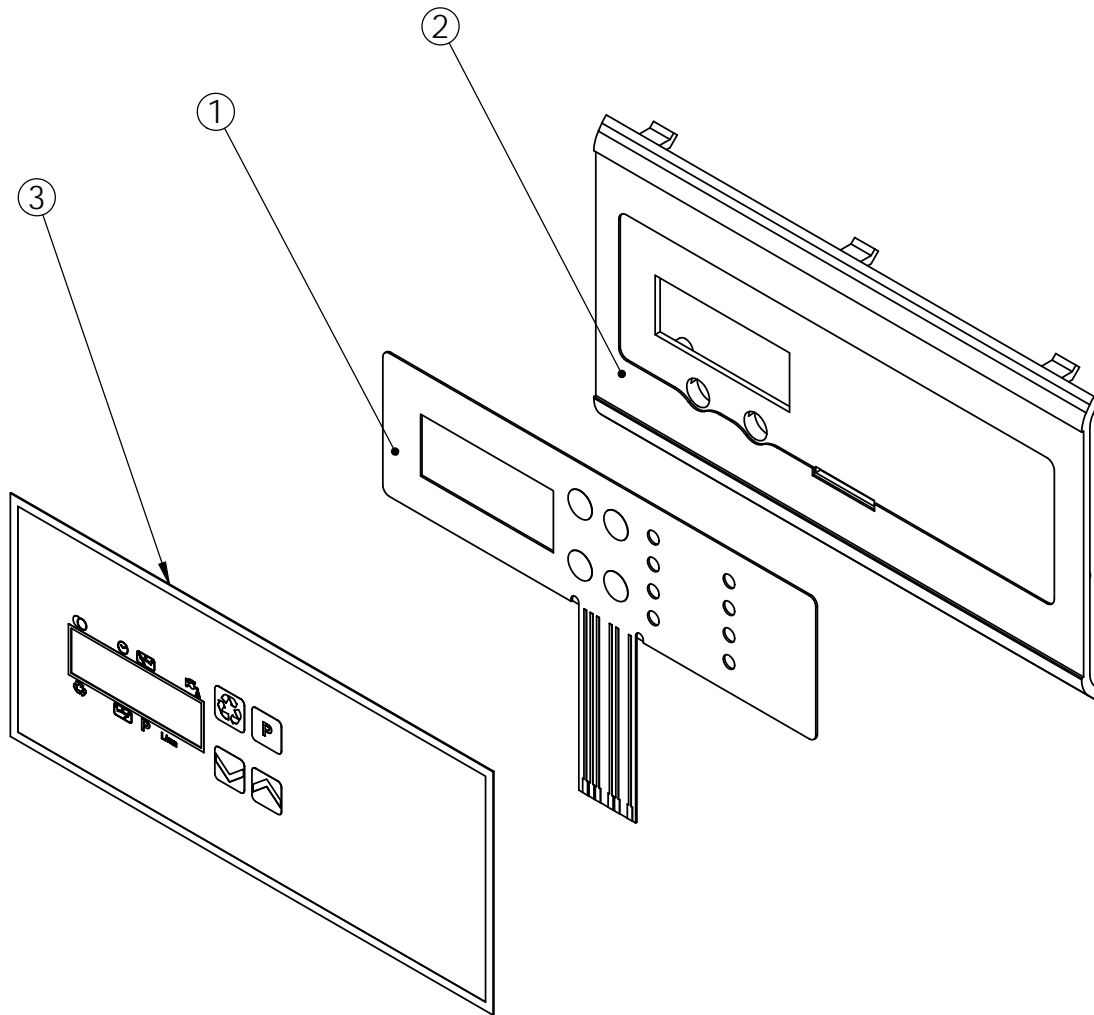


REVISIONS				
ECN	Rev.	Description	Date (dd/mm/yy)	Approved
F5461	A	Created on Solidworks	26/03/12	CHT



ITEM	PN	QTY	DESCRIPTION
1	BU19083	1	PAD, SWITCH-7 DIGIT, 6700
2	BU28593	1	FRONT PANEL BAYARD
3	BU28755	1	FRONT LABEL 6620 FILADOS



Front Panel Assy 6720 FILADOS Without Circuit Board

BU28787