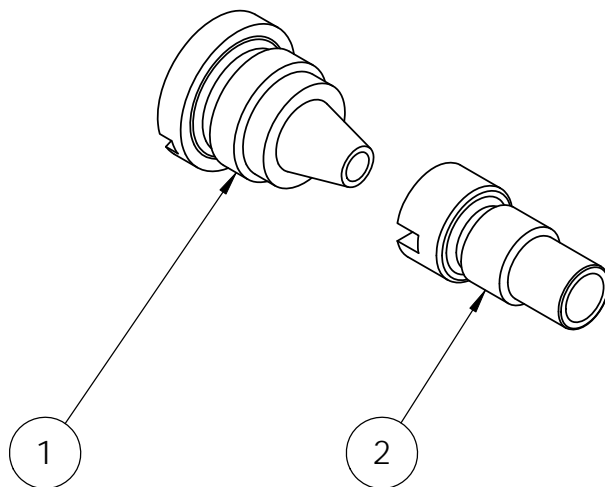


REVISIONS				
ECN	Rev.	Description	Date (dd/mm/yy)	Approved
F5517	A	Creation	11/07/12	Man



ITEM	P/N	DESCRIPTION	BU28793-0	BU28793-1	BU28793-2	BU28793-3
1	12974-0	INJECTOR THROAT,#0,PVC	1	-	-	-
	12974-1	INJECTOR THROAT,#1,PVC	-	1	-	-
	12974-2	INJECTOR THROAT,#2,PVC	-	-	1	-
	12974-3	INJECTOR THROAT,#3,PVC	-	-	-	1
2	12973-0	NOZZLE,INJECTOR,#0,PVC	1	-	-	-
	12973-1	NOZZLE,INJECTOR,#1,PVC	-	1	-	-
	12973-2	NOZZLE,INJECTOR,#2,PVC	-	-	1	-
	12973-3	NOZZLE,INJECTOR,#3,PVC	-	-	-	1



Kit PVC Injector (Specify Size 0/1/2 or 3)

BU28793-xx