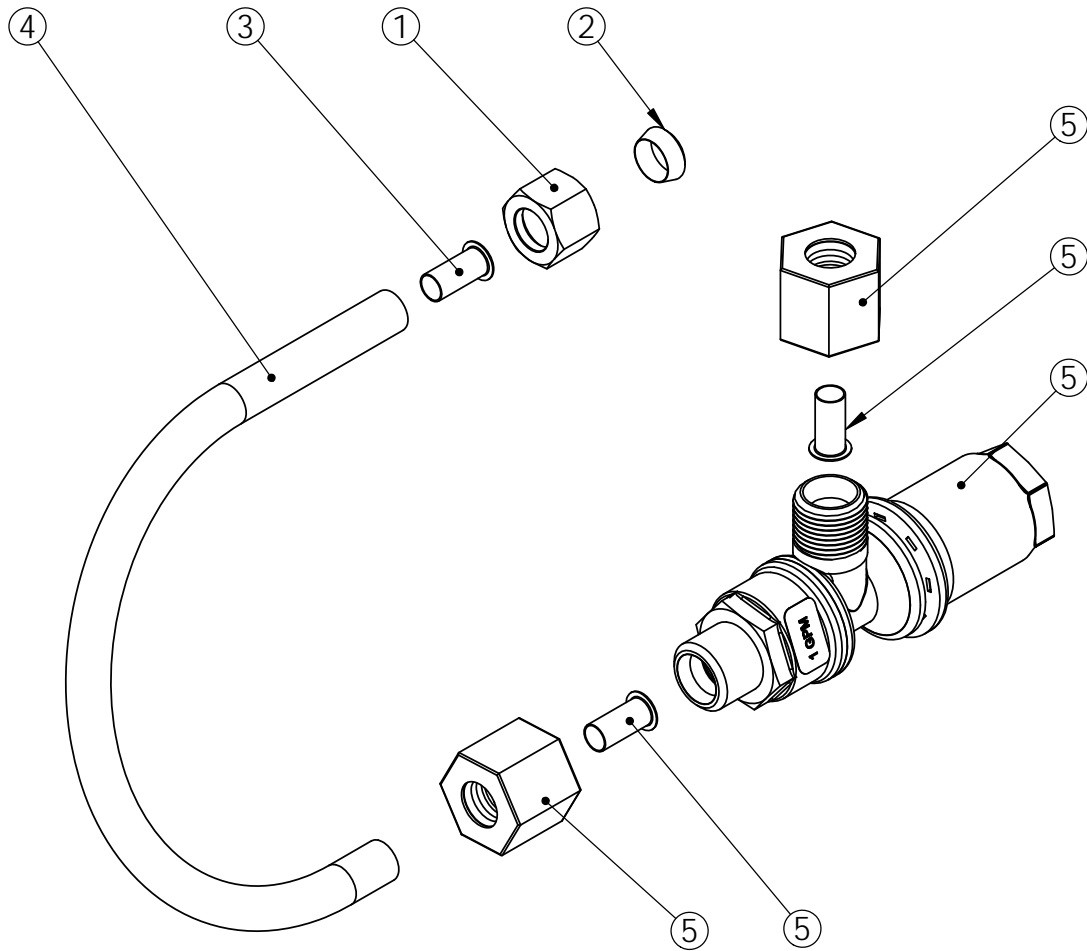


REVISIONS				
ECN	Rev.	Description	Date (dd/mm/yy)	Approved
	a	Created on Solidworks	22/11/12	CHT



ITEM	PN	DESCRIPTION	BU28807-0.25	BU28807-0.50	BU28807-1
1	10329	3/8" NUT	1	1	1
2	BU10330	SLEEVE (3/8" TUBE)	1	1	1
3	BR10332	FITTING,INSERT,3/8	1	1	1
4	BR41683	TUBE, BRINE U/F 2910	1	1	1
5	26677-0.25	Kit Brine Valve 1650 assy0.25 Gpm	1	-	-
5	26677-0.50	Kit Brine Valve 1650 assy 0.50 Gpm	-	1	-
5	26677-1	Kit Brine Valve 1650 assy1 Gpm	-	-	1



Brine Valve 1650 assy 2910 UF (Specify Gpm)

BU28807-XX

Chap.03