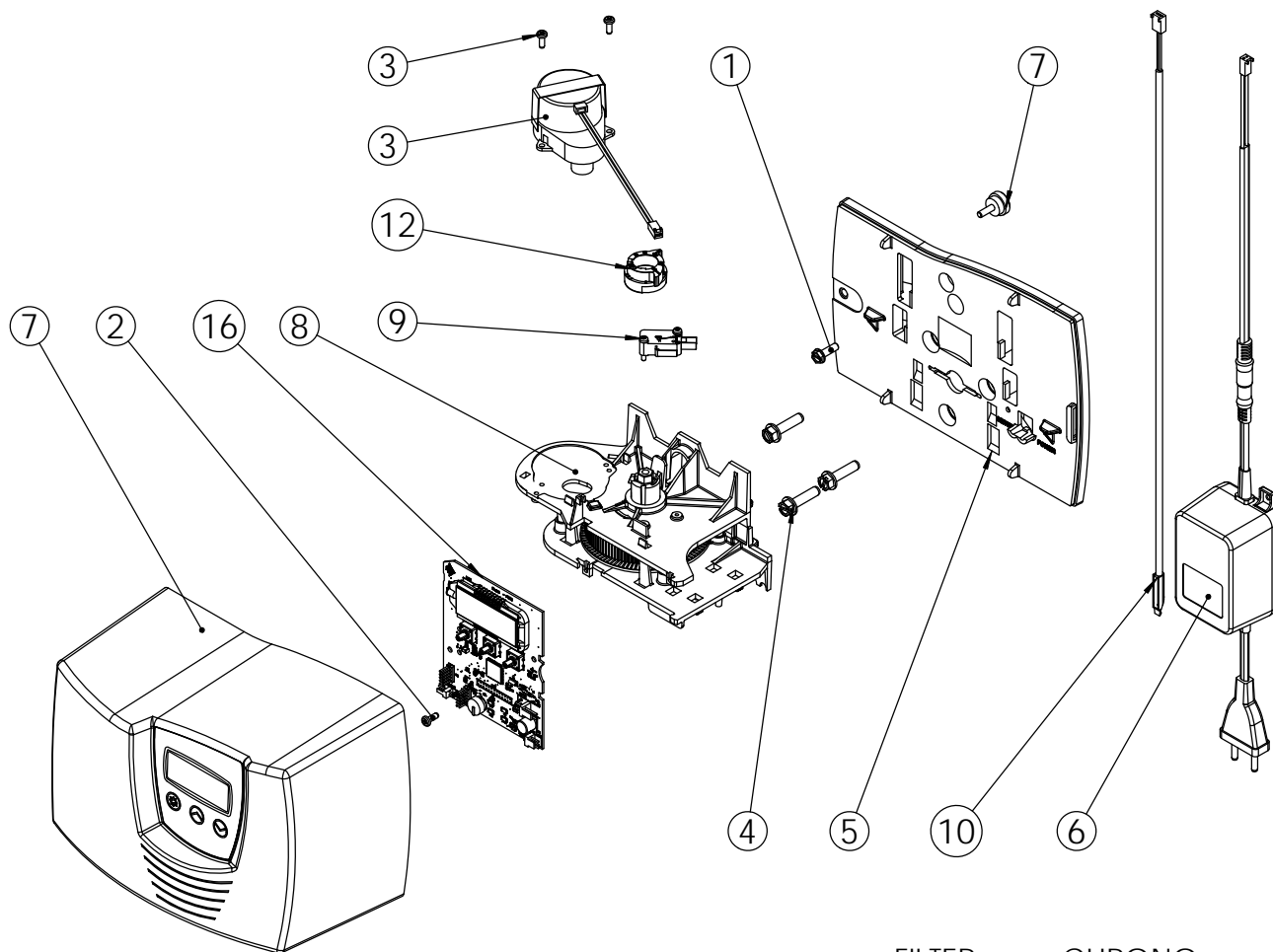


REVISIONS				
ECN	Rev.	Description	Date	Approved
	B	BU28597-10 was 41086	1/02/10	LD
F5216	C	12473 was 15727	30/06/10	CHT
	D	Added 13296	25/05/11	CHT
F5490	E	Update Dwg : -001 / -002 / -003 versions title** BR43360-xx was BR61696 **	10/05/2012	MAN



FILTER CHRONO ECO

ITEM	PART NO.	DESCRIPTION	PH7700-001	PH7700-002	PH7700-003
1	12473	SCREW 10-24 X 5/8	1	1	1
2	19160	SCREW, #6-32 X 3/8 PAN HEAD	1	1	1
3	28367	MOTOR KIT 7700	1	1	1
4	40967	SCREW, 1/4-20X1 LG, SLOTTED HEX WASHER HEAD	3	3	3
5	BR40980	BACK PLATE, 7000	1	1	1
6	BU28597-10	KIT TRANSFORMER ASSY, 7700	1	1	1
7	BU28694	COVER ASSY,GRAY, 7700 SXT	1	1	1
8	BU28365	MAIN GEAR ASSY 7000	1	1	1
9	28343	Kit Aux Msw, 5000/7700	1	-	-
10	BU19791-01	ASSY TURBINE METER CABLE	-	-	1
11	40704	CAM, BRINE DF, 7000	-	1	1
12	BR40977	CAM, AUX. SWITCH, FILTER	1	-	-
13	BR43360-EL	Circuit Board 7000 SXT Programmed, Chrono	-	-	1
14	BR43360-EN	Circuit Board 7000 SXT Programmed, Eco	-	1	-
15	BR43360-EM	Circuit Board 7000 SXT Programmed, Filter	1	-	-



POWER HEAD 7700 (Specify Type)

PH7700-XX