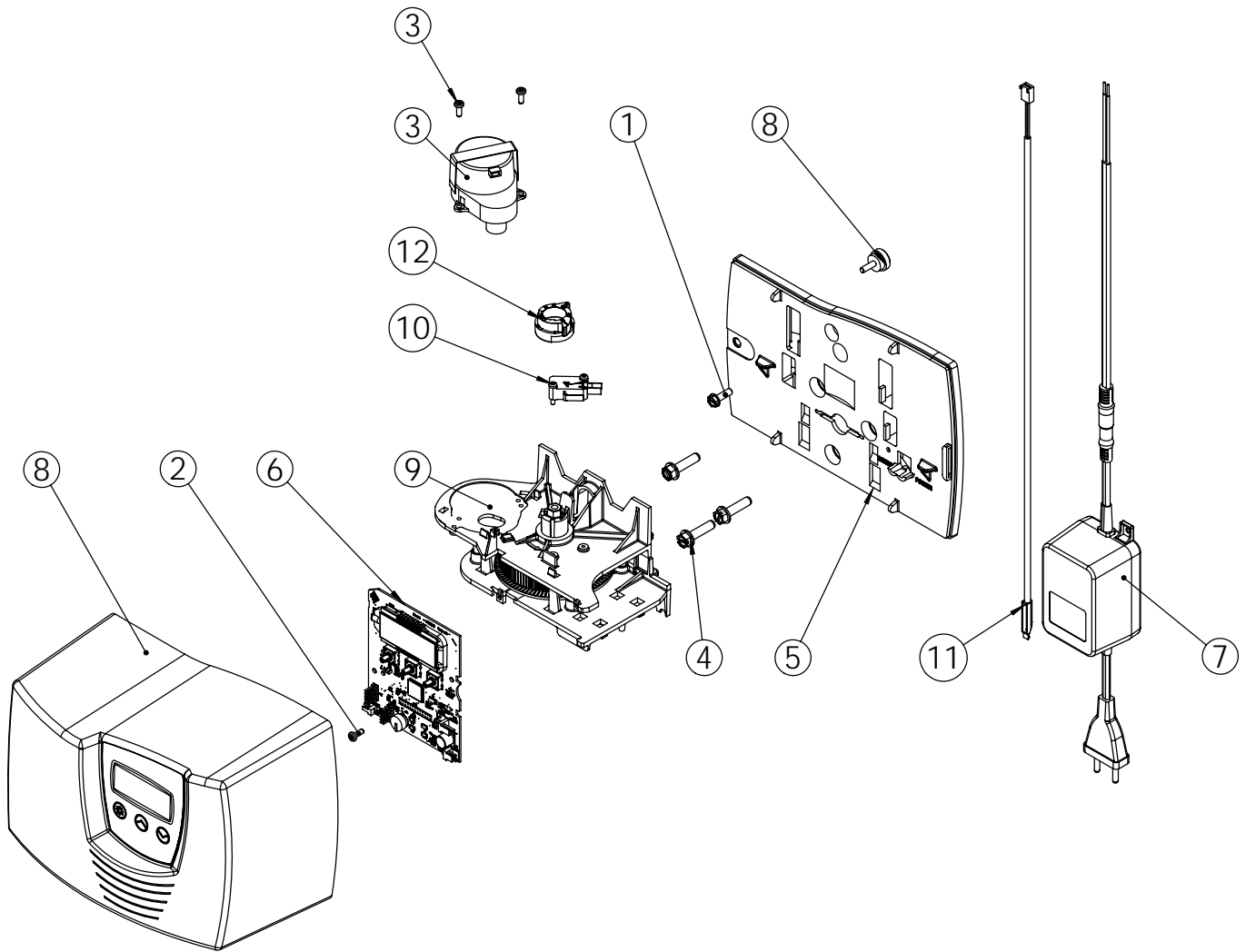


REVISIONS				
ECN	Rev.	Description	Date (dd/mm/yy)	Approved
	A	CREATED ON SOLIDWORKS	19/11/09	LD
	B	BU28597-10 was 41086	1/02/10	LD
5216	C	12473 was 15727	30/06/10	CHT



ITEM	PN	DESCRIPTION	CHRONO QTY	ECO QTY	FILTER QTY
1	12473	SCREW 10-24 X 5/8	1	1	1
2	19160	SCREW, #6-32 X 3/8 PAN HEAD	1	1	1
3	28367	MOTOR KIT 7700	1	1	1
4	40967	SCREW, 1/4-20X1 LG, SLOTTED HEX WASHER HEAD	3	3	3
5	BR40980	BACK PLATE, 7000	1	1	1
6	BR61696	CIRCUIT BOARD, 7000SXT,SERVICE	1	1	1
7	BU28597	Kit Transformer 10VA (400mA)	1	1	1
8	BU28694	COVER ASSY,GRAY, 7700 SXT	1	1	1
9	BU28365	MAIN GEAR ASSY 7000	1	1	1
10	28343	KIT MICROSWITCH AUXILIAIRE 7000	-	-	1
11	BU19791-01	ASSY TURBINE METER CABLE	-	1	-
12	BR40977	CAM, AUX. SWITCH, FILTER	-	-	1
12	40704	CAM, BRINE DF, 7000	1	1	-



POWER HEAD 7700

**PH7700**  
CHAP. 06