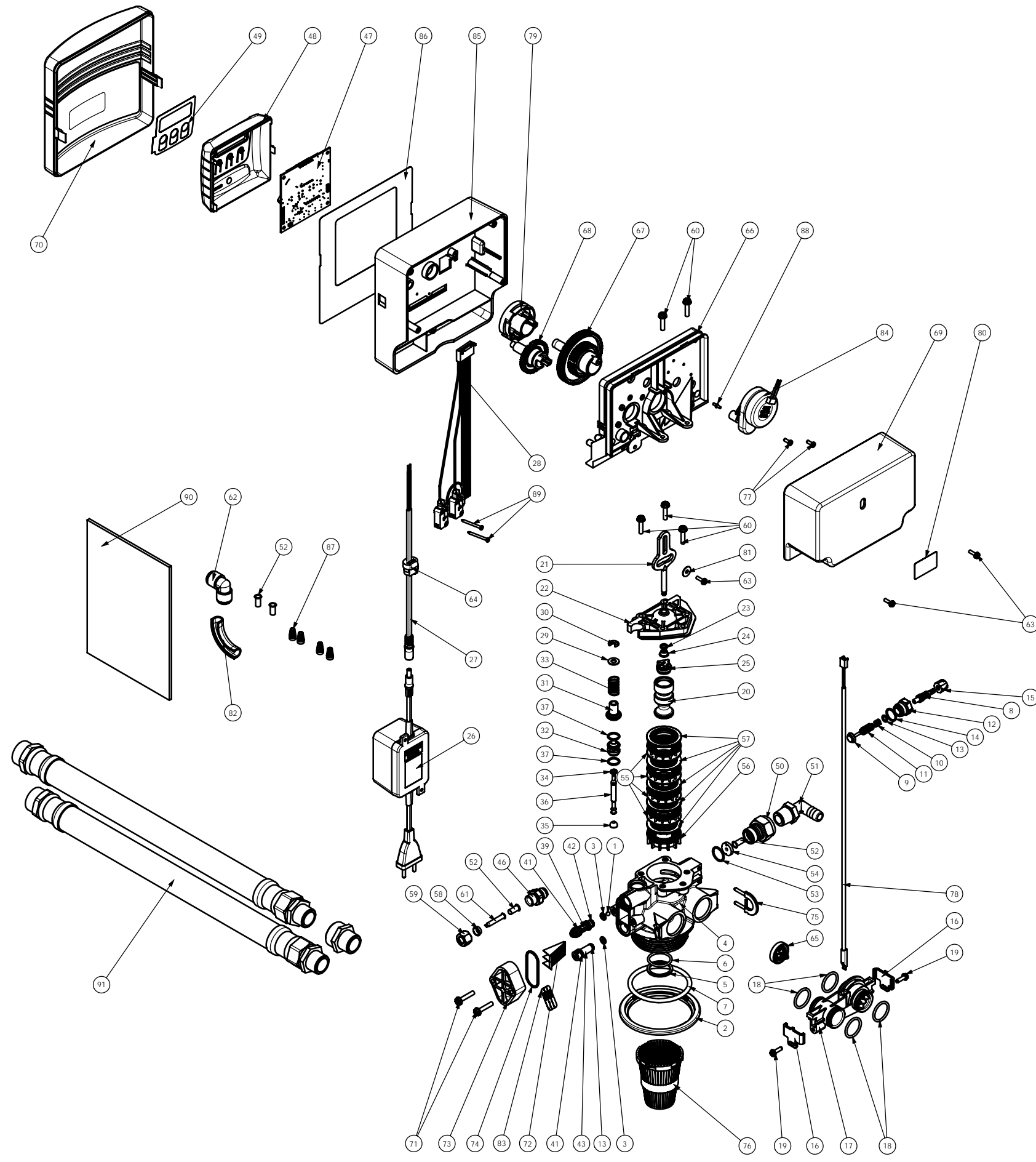


No. ARTICLE	NUMERO DE PIECE	DESCRIPTION	QTE
1	11482	BALL, 3/16" DIA	1
2	18569	RETAINER, TANK SEAL	1
3	BR18762	RETAINER, BALL, 4200/5000	2
4	BR18263	VALVE BODY, 5000, MIXING VALVE	1
5	BU13030	RETAINER, DISTRIBUTOR TUBE O-RING	1
6	BU13304-01	O-RING, 26.64 x 2,62	1
7	BU18303-01	-336 O' RING	1
8	15542	MIXING VALVE STEM	1
9	15543	MIXING VALVE POPPET	1
10	15596	SPRING	1
11	15597	SPRING	1
12	15606	MIXING STEM GUIDE	1
13	BU10141	O-RING, 6.07 x 1,78	2
14	BU12977-01	O-RING, 14.5x1,78	2
15	21072-10	MIXING BOTTOM KNOB	1
16	BU19569	CLIP, FLOW METER	2
17	19566	HOUSING, METER	1
18	BR13305	O-RING, -119	4
19	BU13314	SCREW, HX WASHER HEAD, 8-18 X .60	2
20	18265	DOWN-FLOW PISTON 5000	1
21	18267	ROD, PISTON	1
22	18269	END PLUG	1
23	10209-01	QUAD RING, -010, 560CD	1
24	18270	RETAINER SEAL	1
25	BR14309	RETAINER, PISTON ROD	1
26	25651	24v, STANDARD TRANSFORMER	1
27	BU28552	TRANSFORMER WIRE HARNESS	1
28	BU28600	Wire Harness Home/Step & Microswitch	1
29	12035	RONDELLE	1
30	BR11981-01	RING, RETAINING	1
31	BR13165	CAP, BRINE VALVE	1
32	BR13167-01	SPACER, BRINE VALVE, POLYPROPYLENE	1
33	BU11973	SPRING	1
34	BU12550-01	QUAD RING	1
35	BU12626-01	SEAT, BRINE VALVE	1
36	BU13172	BRINE VALVE STEM	1
37	BU13302-01	O-RING, 12,42x1,78	2
38	BR18275-xx	THROAT, INJECTOR, 1610, (Specify Size)	1
39	BR18274-xx	NOZZLE, INJECTOR, 1610 (Specify Size)	1
40	18273	VORTEX, GENERATOR	1
41	BR13771	O-RING, -012	2
42	BR10141	O-RING, -010	1
43	18276	PLUG, INJECTOR	1
44	BR17307	WASHER, FLOW CONTROL, 50 GPM	1
45	BR13245	RETAINER, BLFC	1
46	BU13244	BRINE LINE FLOWCONTROL ADAPTER	1
47	BR42941	CIRCUIT BOARD, SXT CONTROL	1
48	BR42635-01	FRONT COVER, SXT, SQUARE (Black)	1
49	BR42637	LABEL, DISPLAY, SXT	1
50	11385-01	FLOW CONTROL HOUSING	1
51	21511	FITTING, ELBOW, 90 DEG.	1
52	BR10332	FITTING, INSERT, 3/8	4
53	11183-01	O-RING, -017	1
54	XXXXX	WASHER, FLOW CONTROL XX GPM	1
55	14241-02	SPACER	4
56	18264	SPACER, END, 5000	1
57	BU28715	SEAL, DOMESTIC & TWIN	5
58	BR10330	FITTING SLEEVE, 3/8 CELC	1
59	BR10329	FITTING, TUBE, 3/8 NUT, BRASS	1
60	18261	SCREW, HEX WASHER HEAD, #10-24 X .81	5
61	12767	SCREEN, BRINE	1
62	12794-01	ELBOW JG 3/8" REF PI 0312S	1
63	BU13296	SCREW #6-20 * 0.50 long	3
64	13547-03	STRAIN RELIEF	1
65	BR14613	FLOW STRAIGHTENER	1
66	BR18202	BACK PLATE	1
67	Default	GEAR, MAIN, DOWNFLOW, MACHD	1
68	BR18228	CAM, BRINE VALVE	1
69	18259-02	COVER, BACK, BLACK	1
70	BR18260-00	COVER, FRONT	1
71	BR18262	SCREW, HEX WASHER HEAD, #10-24 X 1.00	2
72	18271	SCREEN INJECTOR	1
73	18277	CAP, INJECTOR	1
74	BR18301	SEAL, INJECTOR, 4200	1
75	18312	RETAINING CLIP	1
76	BU18280-10	COLLECTOR, TOP, 1" X .011, BLACK	1
77	19160	SCREW, #6-32 X 3/8 PAN HEAD	2
78	BU19791-01	TURBINE METER CABLE ASSY	1
79	BR19927	CAM, RAYNE, D/F, SE	1
80	21271	SERIAL NUMBER LABEL	1
81	23250	WASHER INOX LN 4	1
82	24575	TUBE HOLDER	1
83	26110	INJECTOR LABEL for SPARE PART ONLY	1
84	40251	MOTOR, 24V - 50/60HZ	1
85	BR40269-02	PLATE, FRONT	1
86	BR40326	LABEL, COVER-UP, PROFLOSE	1
87	BR40422	WIRE NUT	4
88	28202	MOTOR PIN	1
89	BU11413	SCREW 2.9x32	2
90	BU27365	SERVICE MANUAL SXT MULTILINGUAL	1
91	BU28775	Kit Flexible Tube for 5000	1



REVISIONS				
ECN	Rev	Description	Date (dd/mm/yy)	Approved
	a			

REVISIONS

ECN	Rev	Description	Date (dd/mm/yy)	Approved
	a			

ROHS NOTES:
THE COMPONENT, PART, OR ASSEMBLY DESCRIBED IN THIS DOCUMENT MUST COMPLY WITH THE FOLLOWING EU (EUROPEAN UNION) DIRECTIVES:
REACH DIRECTIVE 2002/61/EC, WEEE DIRECTIVE 2002/96/EC, AND EVD DIRECTIVE 2002/95/EC. THESE DIRECTIVES RESTRICT THE USE OF LEAD, CADMIUM, MERCURY, CHROMIUM, PBB, PBDE, AND OTHER HAZARDOUS MATERIALS. SEE THE TERMS AND CONDITIONS OF THE CONTRACT (PURCHASE ORDER) FOR MORE INFORMATION.

All drawings and specifications as well as processes, materials, compounds and other similar criteria are to be strictly adhered to. No modifications allowed without prior written approval.

TOLERANCES (unless otherwise specified):
 25.00 ±0.10 mm
 25.00 ±0.05 mm
 25.00 ±0.02 mm
 25.00 ±0.01 mm
 25.00 ±0.005 mm
 25.00 ±0.002 mm
 25.00 ±0.001 mm

Wash in opposed steam contact, 2.25 x 45°C min.

DO NOT SCALE DRAWING DIMENSIONS - (All in inch)

THIRD ANGLE PROJECTION

Material: N/A

Denotes Critical Dimension / Denotes Revision

Pentair Water France
140, Av. Roland Garros
78532 Buc cedex
France

V505SR-505

Scale: 1:5
Size: A1
Date: 15/06/2011
Date: 20/06/2011

Drawn: MAN
Approved: CHT

Part: V505SR-505
Weight: X
Sheet: 1 of 1

File: V505SR-505

This drawing is the intellectual property of Pentair Water France. It may not be reproduced without the written permission of Pentair Water France.