

B FOR PVC INJECTOR OPTION , Please Order :
BU28793-xx : Kit PVC Injector (Specify Size)

REVISIONS				
ECN	Rev.	Description	Date (dd/mm/yy)	Approved
F5390	A	CREATION ON CAD SYSTEM	13/12/11	MP/CHT
F5517	B	Remove 12973-xx / 12974-xx (PVC Injector) and Add NOTE for BU28793-xx : KIT PVC INJECTORS Option	11/07/2012	MP/CHT

ITEM	PN	DESCRIPTION	4600 DF	4600 DF HW	4600 Filter	4600 DF BV Plug
1	26110	INJECTOR LABEL	1	1	1	1
2	BR13497	DISPERSER, AIR, 5600	1	1	1	1
3	BU13301-01	O'RING 7,64x1,78	2	2	2	2
4	BU21741	O'RING	1	1	1	1
5	18060	INJECTOR COVER ASSY 5600	1	1	1	1
6	10227	SCREEN, INJECTOR	1	1	-	1
7	BU13308	DRAIN HOSE BARB 1/2"	1	-	1	1
7	22359	DRAIN HOSE BARB 1/2" - 1/2" BLACK	-	1	-	-
8	BU28408	INJECTOR AND DRAIN HOUSING	1	1	1	1
9	26484	SCREW H M5 x 45	1	1	1	1
10	26483	SCREW H M5 x 25	1	1	1	1
11	13361	SPACER INJECTOR	1	1	1	1
12	18332-xx	BLFC 3/8" -xx GPM ASSY (Specify Size)	2	2	1	2
13	12767	SCREEN,BRINE	1	1	-	1
14	BR10332	FITTING,INSERT,3/8	1	1	-	1
15	BU10330	SLEEVE (3/8" TUBE)	1	1	-	1
16	26958	PLUG ASSY 5600 FILTER	-	-	1	-
17	24114	1600 BRINE VALVE ASSY 4600-5600	1	1	-	-
18	BR15155	BRINE VALE PLUG ASSY	-	-	1	1
24	10329	3/8" NUT	1	1	-	1

DLFC OPTION															
	PN	DESCRIPTION	0.8	0.9	1.0	1.2	1.5	2	2.4	3	3.5	4	5	7	No Washer
20	19152	WASHER FLOW 0.8 GPM	1												
20	19151	WASHER FLOW 1.0 GPM			1										
20	BR12085	WASHER FLOW 1.2 GPM				1									
20	12086	WASHER FLOW 1.5 GPM					1								
20	12087	WASHER FLOW 2.0 GPM						1							
20	12088	WASHER FLOW 2.4 GPM							1						
20	12089	WASHER FLOW 3.0 GPM								1					
20	12090	WASHER FLOW 3.5 GPM									1				
20	12091	WASHER FLOW 4.0 GPM										1			
20	12092	WASHER FLOW 5.0 GPM											1		
20	12408	WASHER FLOW 7.0 GPM												1	
21	28398	DLFC 0.9 GPM Assy		1											
22	26207	DLFC RETAINER & O'ring Assy	1		1	1	1	1	1	1	1	1	1	1	1

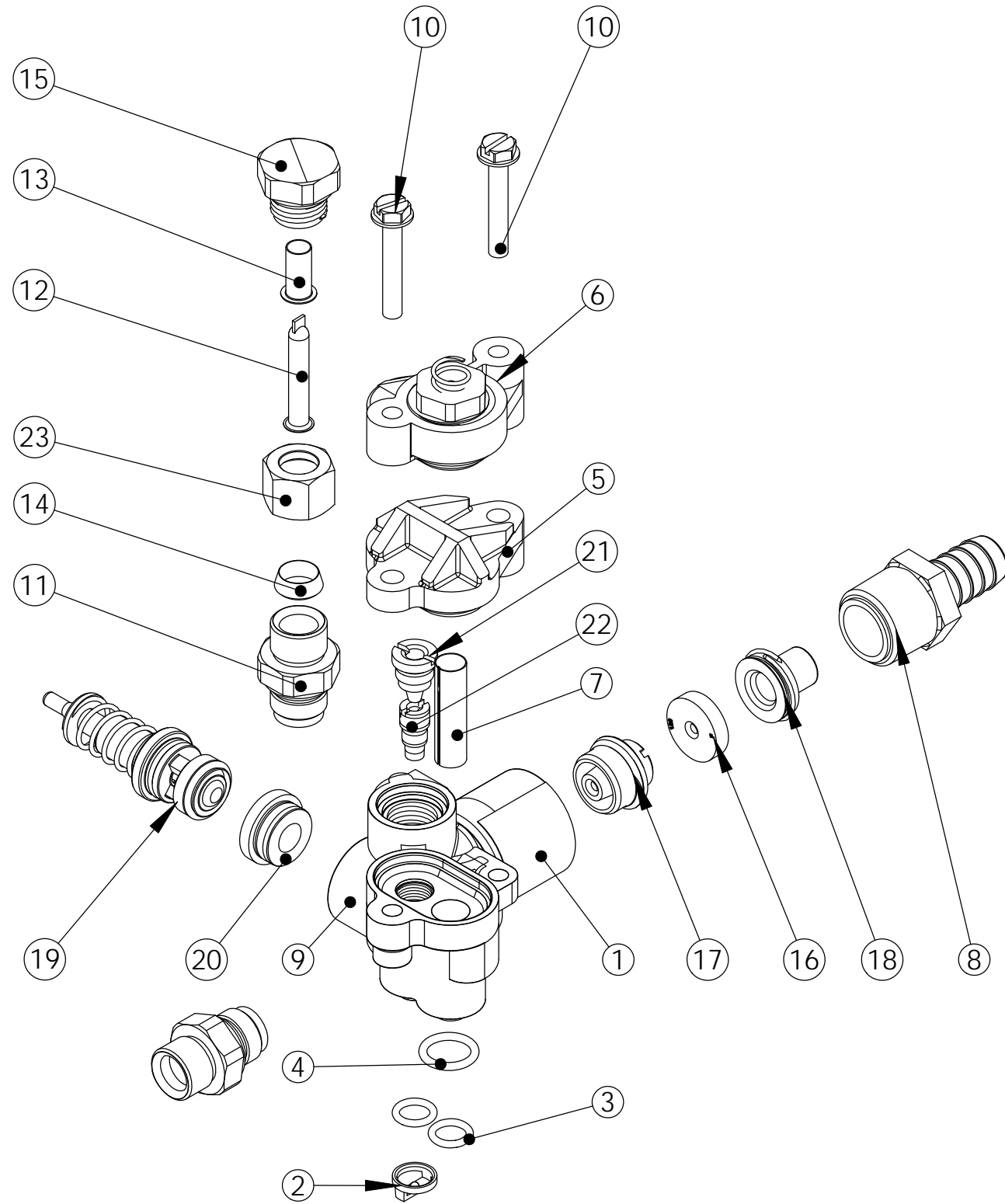
INJECTOR OPTION (range 0 to 4)					
ITEM	PN	DESCRIPTION	STD INJECTOR	HW INJECTOR	FILTER
23	10913-XX	Injector Nozzle (specify size)	1	-	-
24	10914-XX	Injector Throat (specify size)	1	-	-
23	10913U	Injector Nozzle Undrilled	-	-	1
23	10225-XX	Injector Nozzle Stainless steel (specify size)	-	1	-
24	10226-XX	Injector Throat Stainless Steel (specify size)	-	1	-



4600 INJECTORS

VCINJ1

REVISIONS				
ECN	Rev.	Description	Date (dd/mm/yy)	Approved
F5390	A	CREATION ON CAD SYSTEM	13/12/11	MP/CHT
F5517	B	Remove 12973-xx / 12974-xx (PVC Injector) and Add NOTE for BU28793-xx : KIT PVC INJECTORS Option	11/07/2012	MP/CHT



B FOR PVC INJECTOR OPTION , Please Order :
BU28793-xx : Kit PVC Injector (Specify Size)

ITEM	PN	DESCRIPTION	5600 - 6600 - 6700 DF	5600 - 6600 - 6700 UF	5600 - 6600 - 6700 FILTER	5665 - 6665 - 6765	7600 DF
1	26110	INJECTOR LABEL	1	1	1	1	1
2	BR13497	DISPERSER, AIR, 5600	1	1	1	1	1
3	BU13301-01	O'RING 7.64x1.78	2	2	2	2	2
4	BU21741	O'RING	1	1	1	1	1
5	18060	INJECTOR COVER ASSY 5600	1	-	-	-	-
6	24680	REGULATOR/POPPET ASSY 5650/5665/6600/9000 INJECTOR	-	1	-	-	-
7	BR15548	SCREEN, PRESSURE REGULATOR	-	1	-	-	-
7	10227	SCREEN, INJECTOR	1	-	-	-	-
8	BU13308	DRAIN HOSE BARB 1/2"	1	1	1	1	1
9	BU28408	INJECTOR AND DRAIN HOUSING	1	1	1	1	-
9	17766	HOUSING, INJECTOR AND DRAIN	-	-	-	-	-
10	BR15607	SCREW, SLOTTED, INDENTED HEX HEAD, #10 - 24 X 1.375	-	2	-	2	-
10	BU13315	SCREW #8-18 X 30.2	2	-	2	-	1
10	13387	SCREW INJECTOR MTG.	-	-	-	-	-

BLFC OPTION					
ITEM	PN	DESCRIPTION	With BLFC	FILTER	CHLORINATOR VALVES
11	18332-xx	BLFC 3/8" x,x gpm Assy (Specify size)	1	-	-
12	10329	Fitting, Tube, 3/8" Nut, Brass	1	-	-
13	12767	Screen Brine	1	-	-
14	BR10332	Fitting Insert, 3/8"	1	-	-
15	BU10330	Sleeve (3/8" Tube)	1	-	-
16	26958	Plug Assy Filter	-	1	-

Warning For Chlorinator injectors the BLFC must be order apart.
(PN : 26149-XX)

DLFC OPTION															
	PN	DESCRIPTION	0.8	0.9	1.0	1.2	1.5	2	2.4	3	3.5	4	5	7	No WASHER
17	19152	WASHER FLOW 0.8 GPM	1												
17	19151	WASHER FLOW 1.0 GPM			1										
17	BR12085	WASHER FLOW 1.2 GPM				1									
17	12086	WASHER FLOW 1.5 GPM					1								
17	12087	WASHER FLOW 2.0 GPM						1							
17	12088	WASHER FLOW 2.4 GPM							1						
17	12089	WASHER FLOW 3.0 GPM								1					
17	12090	WASHER FLOW 3.5 GPM									1				
17	12091	WASHER FLOW 4.0 GPM										1			
17	12092	WASHER FLOW 5.0 GPM											1		
17	12408	WASHER FLOW 7.0 GPM												1	
18	28398	DLFC 0.9 GPM Assy		1											1
19	26207	DLFC RETAINER & O'ring Assy	1		1	1	1	1	1	1	1	1	1	1	1

BRINE VALVE OPTION					
ITEM	PN	DESCRIPTION	5600 / 6600 / 6700	7600	No BV
20	24114	4600/5600 Brine Valve Assy 1600	1	-	-
20	26575	7600 Brine Valve Assy 1600	-	1	-
21	BR15155	Brine Valve Plug Assy	-	-	1

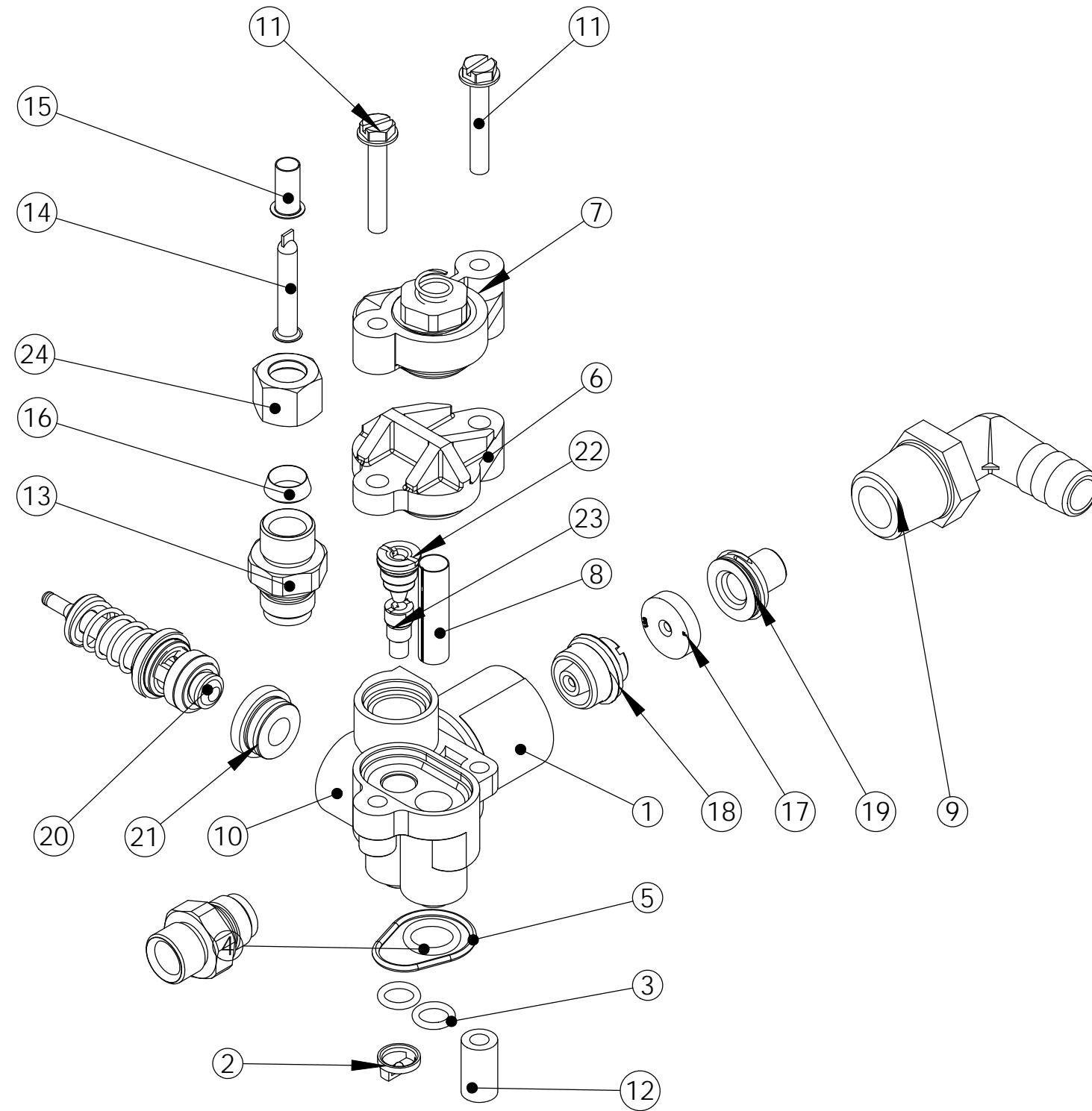
INJECTOR OPTION						
ITEM	PN	DESCRIPTION	STD INJECTOR	Injector 0000	FILTER	RANGE
22	10913-XX	Injector Nozzle (specify size)	1	1	-	0000 to 4
23	10914-XX	Injector Throat (specify size)	1	-	-	000 to 4
23	14870-0000	Injector Throat 0000	-	1	-	000
22	10913U	Injector Nozzle Undrilled	-	-	1	-



5600 SXT & MECHANICAL & 6600/6700/7600 INJECTORS

VCINJ1

REVISIONS				
ECN	Rev.	Description	Date (dd/mm/yy)	Approved
F5390	A	CREATION ON CAD SYSTEM	13/12/11	MP/CHT



B FOR PVC INJECTOR OPTION , Please Order :
BU28793-xx : Kit PVC Injector (Specify Size)

ITEM	PN	DESCRIPTION	9000 - DF	9000 - DF HW	9000 - UF	9100 - DF	9100 - UF
1	26110	INJECTOR LABEL	1	1	1	1	1
2	BR13497	DISPERSER, AIR, 5600	1	1	1	1	1
3	BU13301-01	O'RING 7,64x1,78	2	2	2	2	2
4	BU21741	O'RING	1	1	1	-	-
5	41500	O'ring Injector 9100	-	-	-	1	1
6	18060	INJECTOR COVER ASSY 5600	1	1	-	1	-
7	24680	REGULATOR/POPPET ASSY 5650/5665/6600/9000 INJECTOR	-	-	1	-	1
8	BR15548	SCREEN, PRESSURE REGULATOR	-	-	1	-	1
8	10227	SCREEN, INJECTOR	1	1	-	1	-
9	21511	FITTING, ELBOW, 90 DEG.	1	-	1	1	1
9	12338	HOSE BARB , 90° - 1/2" X 1/2"	-	1	-	-	-
10	15215	INJECTOR AND DRAIN HOUSING	1	1	1	1	1
11	BR15607	SCREW, SLOTTED, INDENTED HEX HEAD, #10 - 24 X 1.375	-	-	1	-	1
11	25363	SCREW	-	-	1	-	1
11	BU13315	SCREW #8-18 X 30.2	1	1	-	1	-
11	13387	SCREW INJECTOR MTG.	1	1	-	1	-
12	13361	SPACER INJECTOR	1	1	1	1	1
13	18332-xx	BLFC 3/8" -xx GPM ASSY (Specify Size)	2	2	2	2	2
14	12767	SCREEN,BRINE	1	1	1	1	1
15	BR10332	FITTING,INSERT,3/8	1	1	1	1	1
16	BU10330	SLEEVE (3/8" TUBE)	1	1	1	1	1
24	10329	3/8" NUT	1	1	1	1	1

DLFC OPTION															
ITEM	PN	DESCRIPTION	0.8	0.9	1.0	1.2	1.5	2	2.4	3	3.5	4	5	7	No WASHER
18	19152	WASHER FLOW 0.8 GPM	1												
18	19151	WASHER FLOW 1.0 GPM			1										
18	BR12085	WASHER FLOW 1.2 GPM				1									
18	12086	WASHER FLOW 1.5 GPM					1								
18	12087	WASHER FLOW 2.0 GPM						1							
18	12088	WASHER FLOW 2.4 GPM							1						
18	12089	WASHER FLOW 3.0 GPM								1					
18	12090	WASHER FLOW 3.5 GPM									1				
18	12091	WASHER FLOW 4.0 GPM										1			
18	12092	WASHER FLOW 5.0 GPM											1		
18	12408	WASHER FLOW 7.0 GPM												1	
19	28398	DLFC 0.9 GPM Assy		1											
20	26207	DLFC RETAINER & O'ring Assy	1		1	1	1	1	1	1	1	1	1	1	1

BRINE VALVE OPTION				
ITEM	PN	DESCRIPTION	9000 / 9100	No BV
21	24526	9000/9100 Brine Valve Assy 1600	1	-
22	BR15155	Brine Valve Plug Assy	-	1

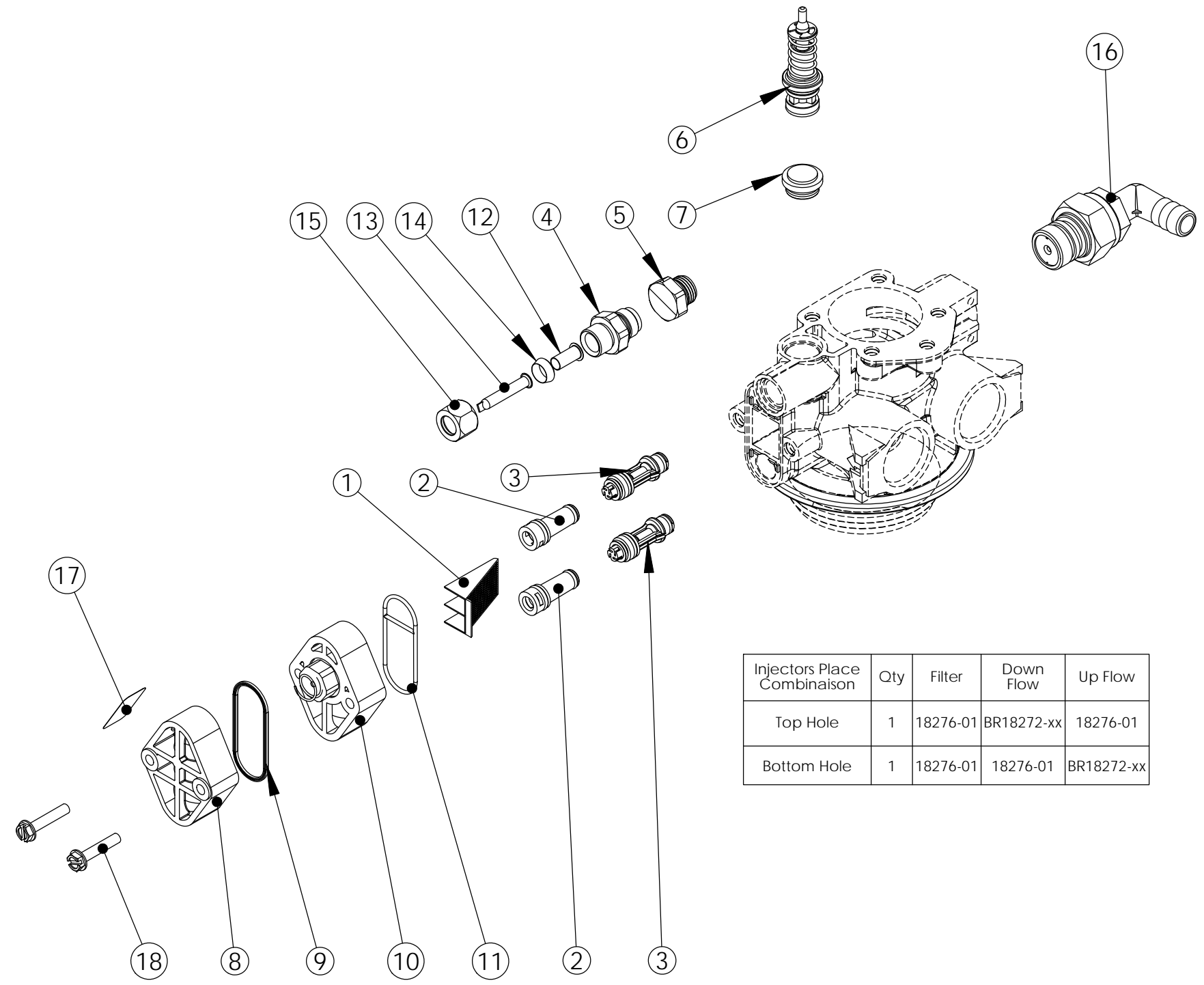
INJECTOR OPTION (Range 0 to 4)				
ITEM	PN	DESCRIPTION	STD INJECTOR	HW INJECTOR
23	10913-XX	Injector Nozzle (specify size)	1	-
24	10914-XX	Injector Throat (specify size)	1	-
23	10225-XX	Injector Nozzle Stainless steel (specify size)	-	1
24	10226-XX	Injector Throat Stainless Steel (specify size)	-	1



9000/9100 INJECTORS

VCINJ1

REVISIONS				
ECN	Rev.	Description	Date (dd/mm/yy)	Approved
F5390	A	CREATION ON CAD SYSTEM	13/12/11	MP/CHT
F5517	B	Remove 12973-xx / 12974-xx (PVC Injector) and Add NOTE for BU28793-xx : KIT PVC INJECTORS Option	11/07/2012	MP/CHT



Injectors Place Combinaison	Qty	Filter	Down Flow	Up Flow
Top Hole	1	18276-01	BR18272-xx	18276-01
Bottom Hole	1	18276-01	18276-01	BR18272-xx

ITEM	PART NUMBER	DESCRIPTION	5000 FILTRE	5000 DF	5000 UF
1	18271	SCREEN INJECTOR	-	1	1
2	18276-01	INJECTOR PLUG ASSY 5000/8500	2	1	1
3	BR18272-xx	Injector assy 1600 5000 SE/ 8500 #	-	1	1
4	18332-xx	BLFC 3/8" -xx GPM ASSY (Specify Size)	-	1	1
5	26958	PLUG ASSY 5600 FILTER	1	-	-
6	24114	1600 BRINE VALVE ASSY 4600-5600	-	1	1
7	BR15155	BRINE VALE PLUG ASSY	1	-	-
8	18277	CAP, INJECTOR	1	1	-
9	BR18301	SEAL, INJECTOR, 4200	1	1	-
10	18278-20	REGULATOR INJ. CAP ASSY 20 PSI	-	-	1
11	BR40064	SEAL,INJECTOR	-	-	1
12	BR10332	FITTING,INSERT,3/8	-	1	1
13	12767	SCREEN,BRINE	-	1	1
14	BU10330	SLEEVE (3/8" TUBE)	-	1	-
15	BR10329	FITTING,TUBE,3/8 NUT,BRASS	-	1	-
16	24078-xx	D.L.F.C & HOSE BARB ASSY 2510/5000	1	1	1
17	26110-10	LABEL	1	1	1
18	BR18262	SCREW, HEX WASHER HEAD, #10-24 X 1.00	2	2	2

BLFC OPTION				
ITEM	PN	DESCRIPTION	With BLFC (UF/DF)	NO BLFC (FILTER)
4	18332-xx	BLFC 3/8" x,x gpm Assy (Specify size)	1	-
12	BR10332	Fitting Insert, 3/8"	1	-
13	12767	Screen Brine	1	-
14	BU10330	Sleeve (3/8" Tube)	1	-
15	10329	Fitting, Tube, 3/8" Nut, Brass	1	-
5	26958	Plug Assy Filter	-	1

DLFC OPTION															
ITEM	P/N	WASHER P/N	0.8	0.9	1.0	1.2	1.5	2	2.4	3	3.5	4	5	7	No WASHER
3	24078-0.8	19152	1												
3	24078-1	19151			1										
3	24078-1.2	BR12085				1									
3	24078-1.5	12086					1								
3	24078-2	12087						1							
3	24078-2.4	12088							1						
3	24078-3	12089								1					
3	24078-3.5	12090									1				
3	24078-4	12091										1			
3	24078-5	12092											1		
3	24078-7	12408												1	

TYPE DE VANNE	DIAMETRE	RESINE LITRES	Injecteur			DLFC			BLFC			Regulateur Pression
			DF	Color	UF	Color	gpm	DF en gpm	UF en gpm	gpm	DF en gpm	
5000	6"	5 à 7 l	0	000	000	1,2	0,125	0,125	20 PSI			
	7"	8 à 14 l	0	000	000	1,2	0,125	0,125	30 PSI			
	8"	9 à 21 l	1	00	00	1,5	0,25	0,125	20 PSI			
	9"	22 à 28 l	1	00	00	2,0	0,25	0,125	30 PSI			
	10"	29 à 42 l	1	0	0	2,4	0,25	0,25	30 PSI			
	12"	43 à 56 l	2	1	1	3,5	0,50	0,25	20 PSI			
	13"	57 à 70 l	2	1	1	4,0	0,50	0,25	30 PSI			
	14"	71 à 85 l	3	2	2	5,0	0,50	0,50	30 PSI			
	16"	86 à 113 l	3	2	2	7,0	0,50	0,50	30 PSI			



5000 INJECTORS

VCINJ1

