

REVISIONS				
ECN	Rev.	Description	Date (dd/mm/yy)	Approved
F5375	H	VCPHINDUS1 : PH2510/2750/2850 : removed 15806 and replaced by 16493 (total : 2 pcs) * VCPHINDUS1 : PH2900/2910 Upper : removed 15806 and replaced by 16493 (total : 1 pcs) **	11/07/2011	MAN
	J	VCPHINDUS1 : PH2750/2850 DUPLEX, #7 : removed 15806 and replaced by 16493 (total : 2 pcs) pour les versions DUPLEX A et DUPLEX B ET ** VCPHINDUS1 : PH2 Duplex , #7910 : removed 15806 and replaced by 16493 (total : 1 pcs)		
		BU28712-xx w as BU28712-01	05/10/2012	GHT

VOLTAGES CONFIGURATIONS						
ITEM	PN	2510/2750/2850 DF			2750 UF	
		24V	115V	230V	24V	115V
28	27204-01	1	-	-	-	-
28	27204-02	-	1	-	-	-
28	27204-03	-	-	1	-	-
28	27927-01	-	-	-	1	-
28	27927-02	-	-	-	-	1
28	27927-03	-	-	-	-	1
29	23727	-	1	-	-	1
30	13278	-	1	-	-	1

POWER SUPPLY				
ITEM	PN	Transfo.	Power cord less plug	Terminal strip
31	26260	1	-	-
31	BU11545	-	1	-
12	BU27975-04	-	-	1
12	BU27976	-	-	-1
32	13547	1	-	-
32	13547-03	-	1	1
33	BU28704	-	1	1
30	13278	-	1	-
6	BR19801	+2	-	-

REGENERATION											
ITEM	PN	CHRONO	VOLUMETRIC								
			2510 8M3	2510 40 M3	2750 3/4"	2750 1"	2850 1"	2850 1 1/2"	2510 SXT	2750 2850 SXT	2750 2850 NXT
18	13741	2	1	1	1	1	1	1	1	1	1
19	BR17967	-	1	1	1	1	1	1	1	1	1
20	15307	-	1	1	-	-	-	-	-	-	-
20	15368	-	-	-	1	-	-	-	-	-	-
20	23828	-	-	-	-	1	-	-	-	-	-
20	BR17745	-	-	-	-	-	1	1	-	-	-
21	15425	-	1	-	-	-	-	-	-	-	-
21	15216	-	-	1	-	-	1	-	-	-	-
21	14086	-	-	-	1	-	-	-	-	-	-
21	15513	-	-	-	-	1	-	-	-	-	-
21	17741	-	-	-	-	-	-	1	-	-	-
22	BR19791-01	-	-	-	-	-	-	-	1	-	-
22	BR19791-02	-	-	-	-	-	-	-	-	-	1
23	23020	-	-	-	-	-	-	-	1	1	-
24	19121-01	-	-	-	-	-	-	-	-	1	1

OPTION MICROSWITCH AUXILIARY			
ITEM	PN	STD	µSWITCH AUX
12	27975-6	-	1
XX	14822	-	+1

OPTION NBP					
ITEM	PN	2510		2750/2850	
		NBP	WBP	NBP	WBP
25	BR10231	-	2	-	-
25	13386	2	-	-	-
25	23728	-	-	-	2
25	26502	-	-	2	-
26	23954	1	-	1	-

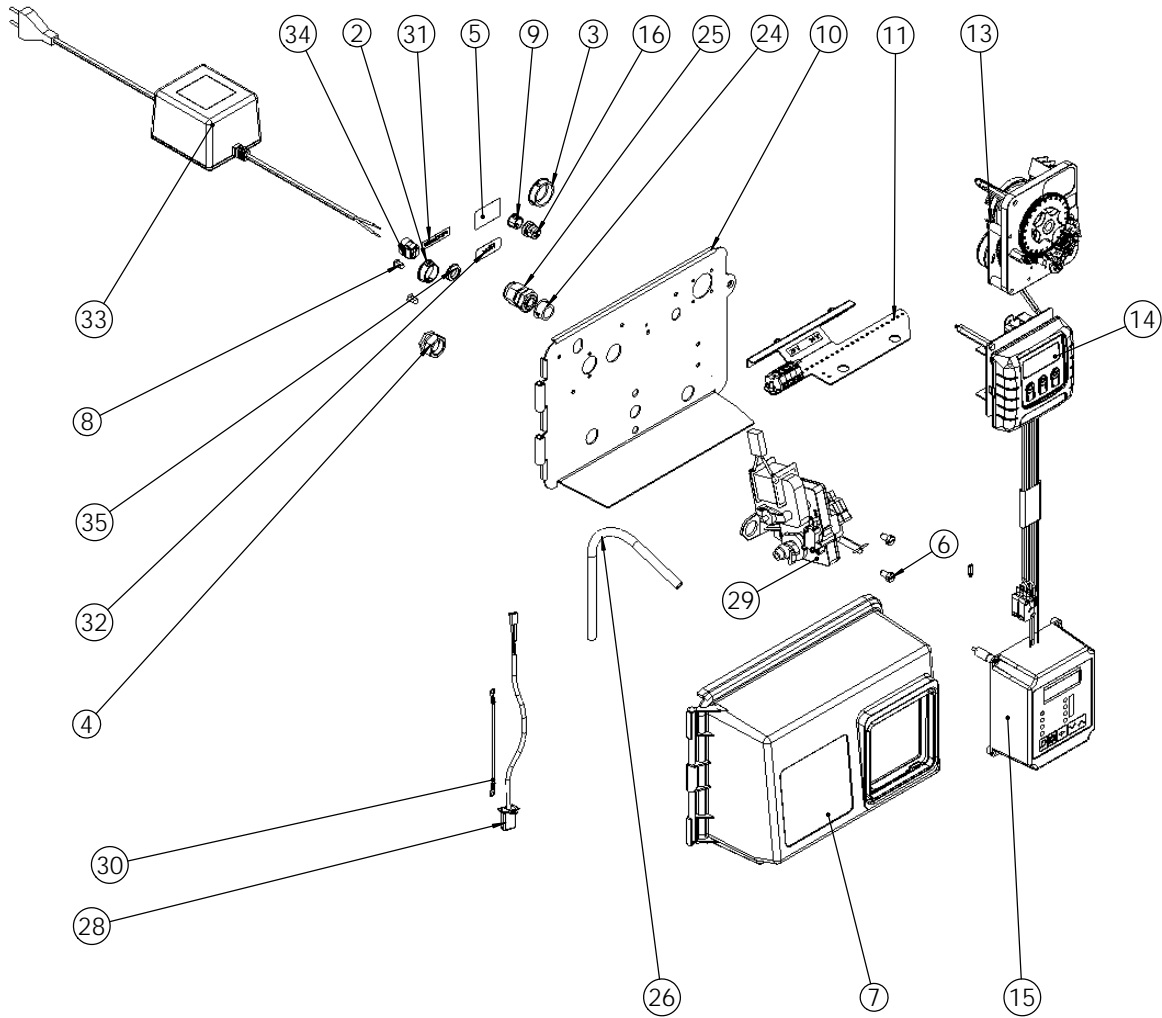
ITEM	PN	DESCRIPTION	no timer QTY	mechanic QTY	PULSE QTY	SXT QTY	NXT QTY
1	16493	HOLE PLUG, HEYCO	2	2	2	2	2
2	17421	HOLE PLUG 1.20 DIA HOLE	1	1	1	1	1
3	18004	BRINE VALVE REPLACEMENT BOLT ASSY	1	1	1	1	1
4	21271	SERIAL NUMBER LABEL	1	1	1	1	1
5	26217-XX	COVER ASSY PRO2	1	1	1	1	1
6	BR19801	PLUG, .190 HOLE	6	4	2	4	4
7	BR40422	WIRE NUT	2	2	-	-	2
8	BR41035	PLUG, STRAIN RELIEF	1	1	1	1	-
9	BU28111	BACKPLATE HINGED 2510/2750/2850/2900	1	1	1	1	1
10	26586	POWER LEAD WIRE BROWN	1	1	-	-	-
11	26587	POWER LEAD WIRE BLUE	1	1	-	-	-
12	BU27975-04	BRACKET TERMINAL ASSY 2900 MECHANICAL	-	-	1	-	-
13	BR40400	HARNESS,DRIVE,DESIGNR/ENVIRMTL	1	1	-	-	-
13	28008	HARNESS MOTOR	-	-	1	-	-
13	28046	MOTOR WIRE HARNESS FOR 2510/2750/2850/2870	-	-	-	1	-
13	BR40941	HARNESS, UPPER DRIVE	-	-	-	-	1
14	VCTIMER	TIMER 3200 / CHRONOMETRIC TIMER	-	1	1	-	-
15	BU28712-XX	INDUSTRIAL TIMER SXT ASSY	-	-	-	1	-
16	BU28713	TIMER 3200 NXT ASSY	-	-	-	-	1
17	41071	BUSHING, STRAIN RELIEF	-	-	-	-	1

OPTION FILTER			
ITEM	PN	SOFTENER	FILTER
27	26160	-	1



PH 2510/2750/2850

VCPHINDUS1



OPTION NBP			
ITEM	PN	NBP	WBP
31	23954	1	-

OPTION FILTER			
ITEM	PN	SOFTENER	FILTER
32	26160	-	1

POWER SUPPLY			
ITEM	PN	TRANSFO.	POWER CORD LESS PLUG
33	26260	1	-
33	BU11545	-	1
34	13547	1	-
34	13547-03	-	1
35	BU28704	-	1

REGENERATION				
ITEM	PN	CHRONO	VOLUMETRIC	
			1"	2" SXT
24	13741	2	1	1
25	BR17967	-	1	1
26	17745	-	1	1
27	15216	-	1	1
28	19121-01	-	-	-

VOLTAGES CONFIGURATIONS						
ITEM	PN	2910 DF			2910 UF	
		24 V	115 V	230 V	24V	115V
29	27204-31	1	-	-	-	-
29	27204-32	-	1	-	-	-
29	27204-33	-	-	1	-	-
29	27927-31	-	-	-	1	-
29	27927-32	-	-	-	-	1
29	27927-33	-	-	-	-	1
30	23727	-	1	-	-	1

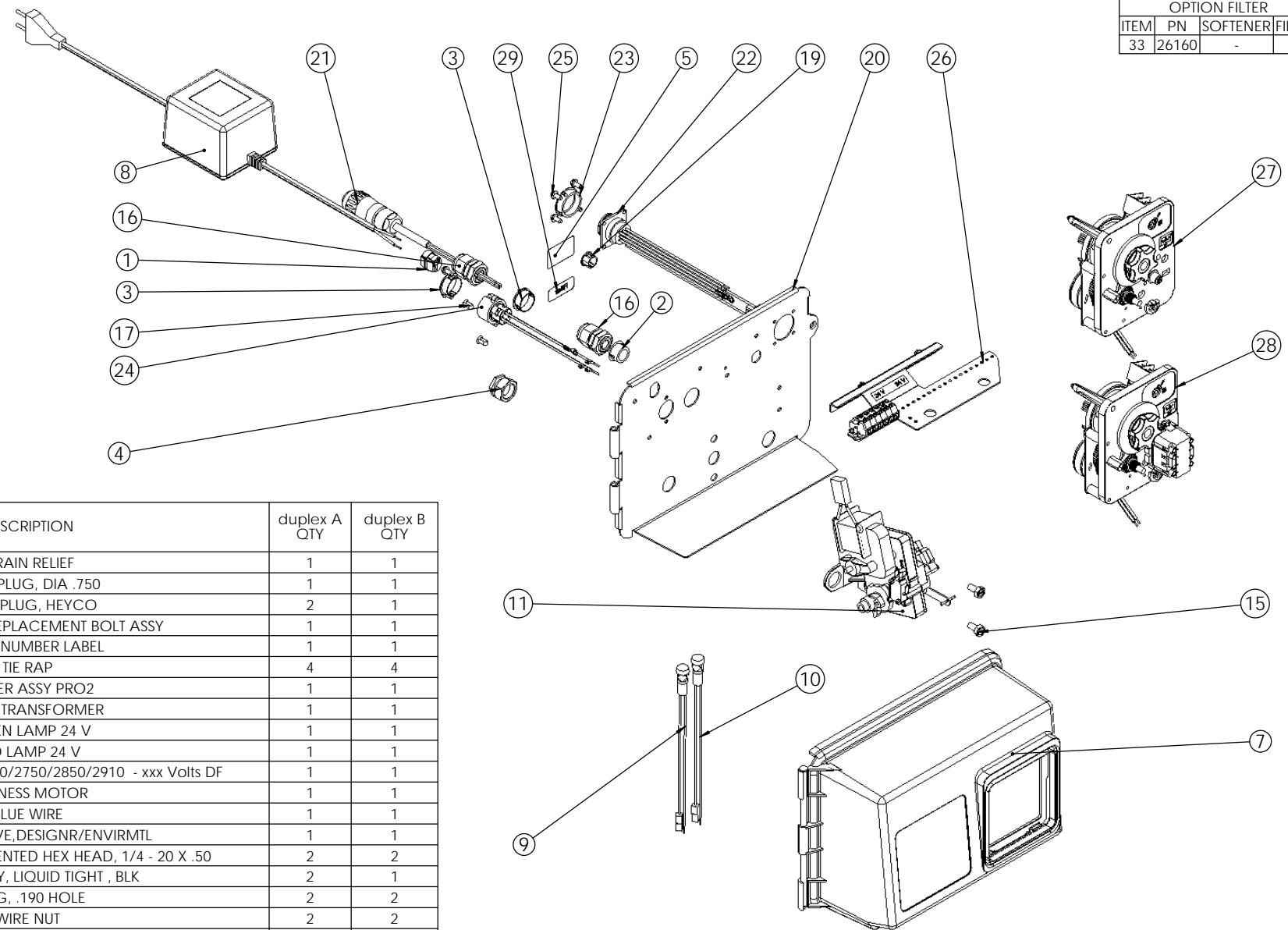
ITEM	PN	DESCRIPTION	no timer QTY	mechanic QTY	pulse QTY	SXT QTY	NXT QTY
1	13278	SCREW MOTOR MOUNTING	1	1	1	1	1
2	16493	HOLE PLUG, HEYCO	1	1	1	1	1
3	17421	HOLE PLUG 1.20 DIA HOLE	1	1	1	1	1
4	18004	BRINE VALVE REPLACEMENT BOLT ASSY	1	1	1	1	1
5	21271	SERIAL NUMBER LABEL	1	1	1	1	1
6	23728	SCREW	2	2	2	2	2
7	26217-XX	COVER ASSY PRO2	1	1	1	1	1
8	BR19801	PLUG, .190 HOLE	4	2	2	2	4
9	BR41035	PLUG, STRAIN RELIEF	1	1	1	1	1
10	BU28111	BACKPLATE HINGED 2510/2750/2850/2900	1	1	1	1	1
11	BU27975-04	BRACKET TERMINAL ASSY 2900 MECHANICAL	1	1	-	1	-
11	BU27975-6	BRACKET TERMINAL ASSY 2900 MECHANICAL	-	-	1	-	-
12	BR40422	WIRE NUT	-	-	-	-	2
13	VCTIMER	TIMER 3200 / CHRONOMETRIC TIMER	-	1	1	-	-
14	BU28712-XX	INDUSTRIAL TIMER SXT ASSY	-	-	-	1	-
15	BU28713	TIMER 3200 NXT ASSY	-	-	-	-	1
16	41071	BUSHING, STRAIN RELIEF	-	-	-	-	1
17	BR40400	HARNESS, DRIVE, DESIGNR/ENVIRMTL	1	1	-	-	-
18	28008	HARNESS MOTOR	-	-	1	-	-
19	28247	ORANGE WIRE	-	-	1	-	-
20	28046	MOTOR WIRE HARNESS FOR 2510/2750/2850/2870	-	-	-	1	-
21	23020	BROWN WIRE	-	-	-	1	-
22	14822	WIRE HARNESS FOR MOTOR LEAD	1	1	1	1	1
23	BR40941	HARNESS, UPPER DRIVE	-	-	-	-	1



PH 2900/2910 UPPER

VCPHINDUS1
CHAP. 06

OPTION FILTER			
ITEM	PN	SOFTENER	FILTER
33	26160	-	1

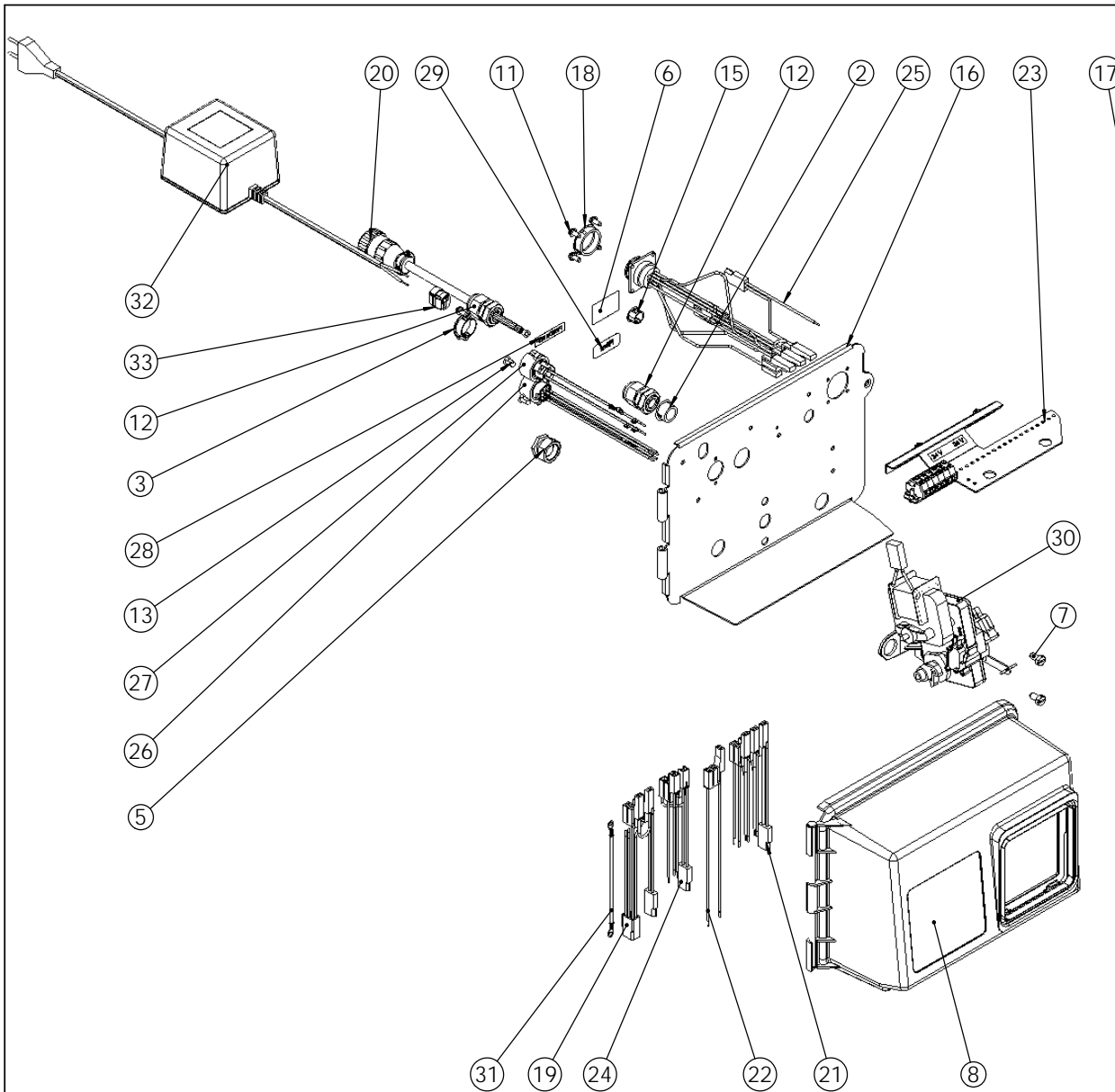


ITEM	PN	DESCRIPTION	duplex A QTY	duplex B QTY
1	13547	STRAIN RELIEF	1	1
2	13741	HOLE PLUG, DIA .750	1	1
3	16493	HOLE PLUG, HEYCO	2	1
4	18004	BRINE VALVE REPLACEMENT BOLT ASSY	1	1
5	21271	SERIAL NUMBER LABEL	1	1
6	21759	TIE RAP	4	4
7	26217-XX	COVER ASSY PRO2	1	1
8	26260	60 VA TRANSFORMER	1	1
9	26722	GREEN LAMP 24 V	1	1
10	26723	RED LAMP 24 V	1	1
11	27204-XX	DRIVE MOTOR ASSY 2510/2750/2850/2910 - xxx Volts DF	1	1
12	28008	HARNESS MOTOR	1	1
13	28138	BLUE WIRE	1	1
14	BR40400	HARNESS,DRIVE,DESIGNR/ENVIRMTL	1	1
15	BR10231	SCREW, SLOTTED, INDENTED HEX HEAD, 1/4 - 20 X .50	2	2
16	BR17967	FITTING ASSY, LIQUID TIGHT , BLK	2	1
17	BR19801	PLUG, .190 HOLE	2	2
18	BR40422	WIRE NUT	2	2
19	BR41035	PLUG, STRAIN RELIEF	1	1
20	BU28111	BACKPLATE HINGED 2510/2750/2850/2900	1	1
21	24651	DUPLEX WIRE HARNESS, REMOTE	1	-
22	25831	PLUG HARNESS - HEAD B	1	-
23	17421	HOLE PLUG 1.20 DIA HOLE	-	1
24	18136	Duplex Meter Connector	-	1
25	BR17798	SCREW, HEX WASHER HEAD, #8-16 X .38	4	2
26	BU27975-6	BRACKET TERMINAL ASSY 2900 MECHANICAL	-	1
26	BU27975-9	BRACKET TERMINAL ASSY 2900 MECHANICAL	1	-
27	VCTIMER	TIMER 3230 / PULSE IMMEDIATE TIMER	-	1
28	26660	TIMER 3231	1	-



PH 2750/2850 DUPLEX, #7

VCPHINDUS1
CHAP. 06



ITEM	PN	DESCRIPTION	duplex A QTY	duplex B QTY
1	13278	SCREW MOTOR MOUNTING	1	1
2	13741	HOLE PLUG, DIA .750	1	1
3	16493	HOLE PLUG, HEYCO	-	1
4	14822	WIRE HARNESS FOR MOTOR LEAD	1	1
5	18004	BRINE VALVE REPLACEMENT BOLT ASSY	1	1
6	21271	SERIAL NUMBER LABEL	1	1
7	23728	SCREW	2	2
8	26217-XX	COVER ASSY PRO2	1	1
9	28008	HARNESS MOTOR	1	1
10	28247	ORANGE WIRE	1	1
11	BR17798	SCREW, HEX WASHER HEAD, #8-16 X .38	2	4
12	BR17967	FITTING ASSY, LIQUID TIGHT , BLK	2	1
13	BR19801	PLUG, .190 HOLE	2	2
14	BR40422	WIRE NUT	2	2
15	BR41035	PLUG, STRAIN RELIEF	1	1
16	BU28111	BACKPLATE HINGED 2510/2750/2850/2900	1	1
17	VCTIMER	TIMER 3230 / PULSE IMMEDIATE TIMER	1	1
18	17421	HOLE PLUG 1.20 DIA HOLE	1	-
19	25827	WIRE HARNESS HEAD A 2910 DUPLEX	1	-
20	25832	WIRE HARNESS DUPLEX 2900	1	-
21	25833	WIRE HARNESS 2900 DUPLEX A	1	-
22	25835	INTERLOCK HARNESS A	1	-
23	BU27975-12	BRACKET TERMINAL ASSY 2900 MECHANICAL	1	-
23	BU27975-6	BRACKET TERMINAL ASSY 2900 MECHANICAL	-	1
24	25834	WIRE HARNESS ADAPTER B	-	1
25	28360	2900 DUPLEX WIRE, SYSTEM 7	-	1
26	24685	BASE CONNECTOR FOR SIMPLEX	-	-
27	18136	Duplex Meter Connector	1	-

VOLTAGES CONFIGURATIONS			
ITEM	PN	24 V	115 V
30	27204-31	1	-
30	27204-32	-	1
31	23727	-	1
32	26260	1	-
32	BU11545	-	1
33	13547	1	-
33	13547-03	-	1

OPTION NBP			
ITEM	PN	NBP	WBP
28	23954	1	-

OPTION FILTER			
ITEM	PN	SOFTENER	FILTER
29	26160	-	1



PH 2910 DUPLEX #7

VCPHINDUS1
CHAP. 06