

| SKIPPER WHEEL : ITEM 32 | | | |
|-------------------------|----------------------------|-------------|--------------|
| PN | DESCRIPTION | 3200/7D QTY | 3200/12D QTY |
| 14860 | SKIPPER WHEEL ASSY 7 DAYS | 1 | - |
| 24100 | SKIPPER WHEEL ASSY 12 DAYS | - | 1 |

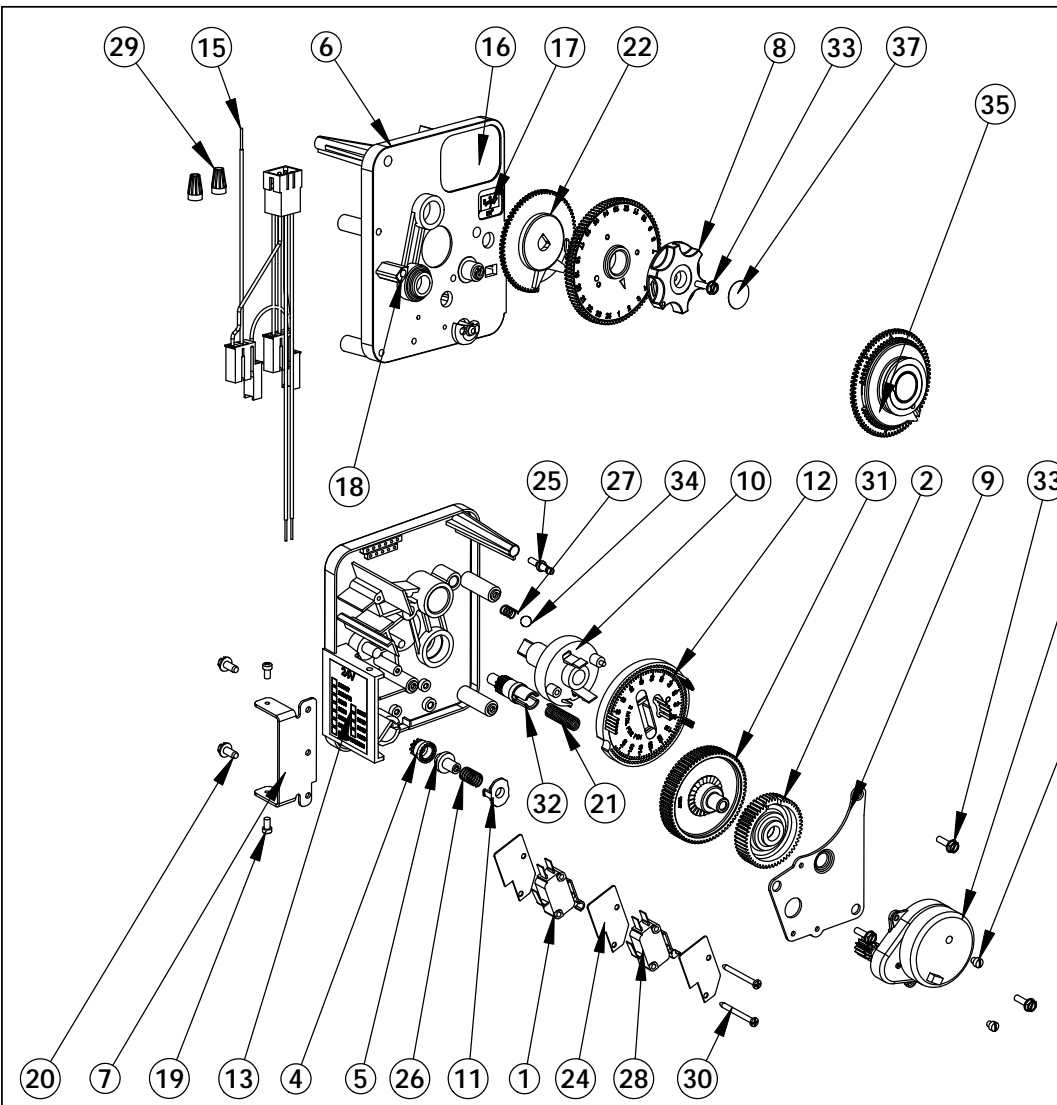
| ITEM | PN | DESCRIPTION | QTY |
|------|----------|------------------------------------|-----|
| 1 | 10896 | MICROSWITCH | 1 |
| 2 | 13009-21 | GEAR, 24 HOUR | 1 |
| 3 | 13278 | SCREW MOTOR MOUNTING | 2 |
| 4 | 13311 | IDLER SHAFT SPRING | 2 |
| 5 | 13886 | KNOB 3200 TIMER | 1 |
| 6 | 13887 | PLATE, MOTOR MOUNTING | 1 |
| 7 | 24200 | PROGRAM WHEEL ASSY FOR TIMERS 3200 | 1 |
| 8 | 24388 | LABEL 24V | 1 |
| 9 | 26846 | INSTRUCTION LABEL | 1 |
| 10 | 26870 | LABEL PICTOGRAM | 1 |
| 11 | 11384 | SCREW | 2 |
| 12 | BR10300 | SCREW, SLOT HEX WSH, 8-18 X 3/8 | 2 |
| 13 | BR13312 | IDLER SHAFT SPRING | 1 |
| 14 | BR13870 | HOUSING, TIMER, MERMAID, CLOCK | 1 |
| 15 | BR13014 | REGENERATION POINTER | 1 |
| 16 | BR13881 | BRACKET, HINGE TIMER | 1 |
| 17 | BR13902 | WIRE HARNESS TIMER 3220 IMMEDIAT | 1 |
| 18 | BR13911 | GEAR, MAIN DRIVE, TIMER | 1 |
| 19 | BR14087 | INSULATOR | 3 |
| 20 | BR14265 | CLIP, SPRING | 1 |
| 21 | BR14457 | SPRING, DETENT | 1 |
| 22 | BR15320 | MICROSWITCH | 1 |
| 23 | BR40422 | WIRE NUT | 2 |
| 24 | BU11413 | SCREW 2.9x32 | 2 |
| 25 | BU13011 | CYCLE ACTUATOR ARM | 1 |
| 26 | BU13017 | IDLER GEAR | 1 |
| 27 | BU13018 | IDLER SHAFT | 1 |
| 28 | BU13164 | GEAR, DRIVE | 1 |
| 29 | BU13296 | SCREW #6-20 * 0.50 long | 5 |
| 30 | BU13300 | BALL 1/4" | 3 |
| 31 | BU13864 | SKIPPER WHEEL RING | 1 |

| MOTOR | | | | | | | | |
|-------|-----------|---------------------------|----------------------|------------------------|-----------------------|------------------------|------------------------|-----------------------|
| ITEM | PN | DESCRIPTION | 24V 50Hz 1/30RPM QTY | 230V 50Hz 1/30 RPM QTY | 24V 60Hz 1/30 RPM QTY | 120V 60Hz 1/30 RPM QTY | 230V 60Hz 1/30 RPM QTY | 24V 50Hz 1/15 RPM QTY |
| 33 | BR18824-1 | MOTOR, 230V 50Hz 1/30 RPM | - | 1 | - | - | - | - |
| 33 | BR18826-1 | MOTOR, 24V 50Hz 1/30 RPM | 1 | - | - | - | - | - |
| 33 | BR18743-1 | MOTOR, 120V 60Hz 1/30 RPM | - | - | - | 1 | - | - |
| 33 | BR19659-1 | MOTOR, 24V 60Hz 1/30 RPM | - | - | 1 | - | - | - |
| 33 | BR19660-1 | MOTOR, 220V 60Hz 1/30 RPM | - | - | - | - | 1 | - |
| 33 | BU19168 | MOTOR, 24V 50Hz 1/15 RPM | - | - | - | - | - | 1 |
| 34 | 13953 | COVER UP DISC LABEL | 1 | 1 | 1 | 1 | 1 | - |
| 34 | BU28616 | COVER UP DISC LABEL | - | - | - | - | - | 1 |

NOTE : Remplace les Timer
24218, 24219, 24220, 24221, 24231 et 25306

TIMER 3200 / CHRONOMETRIC TIMER

VCTIMER



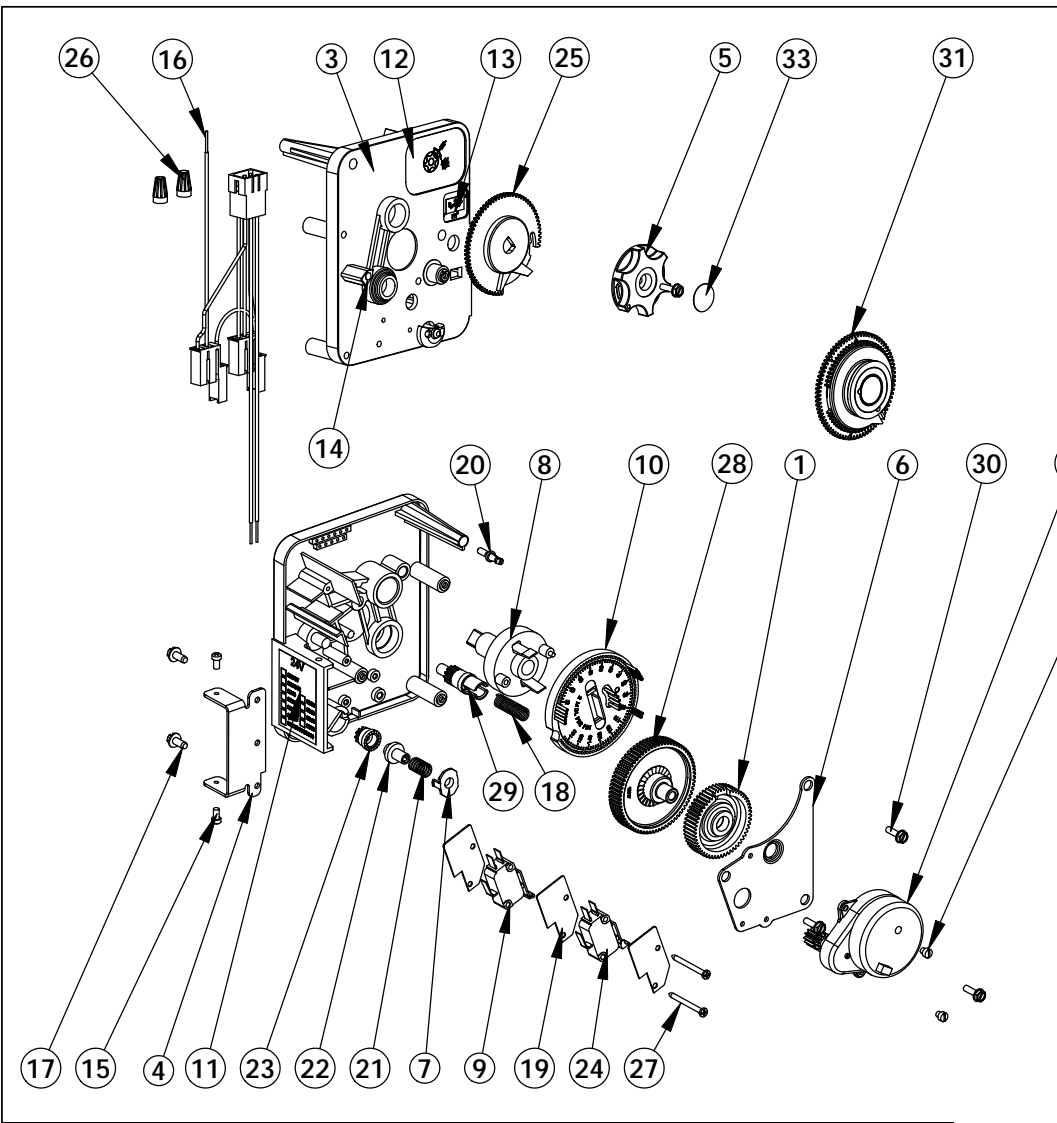
| Program wheel : ITEM 35 | | | | | | | | | | | |
|-------------------------|----------------------------|--------------|---------------|-------------|--------------|-----------------|------------------|-------------|--------------|--------------|---------------|
| PN | DESCRIPTION | 3/4" 8 m3 | 3/4" 40 m3 | 1" 20 m3 | 1" 100 m3 | 1 1/2" 40 m3 | 1 1/2" 200 m3 | 2" 75 m3 | 2" 375 m3 | 3" 240 m3 | 3" 1200 m3 |
| 24119 | PROGRAM WHEEL ASSY 8 m3 | 1 | - | - | - | - | - | - | - | - | - |
| 24120 | PROGRAM WHEEL ASSY 40 m3 | - | 1 | - | - | 1 | - | - | - | - | - |
| 24535 | PROGRAM WHEEL ASSY 375 m3 | - | - | - | - | - | - | 1 | - | - | - |
| 24536 | PROGRAM WHEEL ASSY 75 m3 | - | - | - | - | - | 1 | - | - | - | - |
| 24537 | PROGRAM WHEEL ASSY 100 m3 | - | - | 1 | - | - | - | - | - | - | - |
| 24538 | PROGRAM WHEEL ASSY 20 m3 | - | - | 1 | - | - | - | - | - | - | - |
| 25692 | PROGRAM WHEEL ASSY 240 m3 | - | - | - | - | - | - | - | - | 1 | - |
| 25693 | PROGRAM WHEEL ASSY 1200 m3 | - | - | - | - | - | - | - | - | - | 1 |
| BU25028 | PROGRAM WHEEL ASSY 200 m3 | - | - | - | - | - | 1 | - | - | - | - |

| ITEM | PN | DESCRIPTION | QTY |
|------|----------|------------------------------------|-----|
| 1 | 10896 | MICROSWITCH | 1 |
| 2 | BU13164 | GEAR, DRIVE | 1 |
| 3 | 13278 | SCREW MOTOR MOUNTING | 2 |
| 4 | BR13830 | PROGRAM WHEEL, PINION DRIVE | 1 |
| 5 | BR13831 | CLUTCH, DRIVE PINION | 1 |
| 6 | BR13870 | HOUSING, TIMER, MERMAID, CLOCK | 1 |
| 7 | BR13881 | BRACKET, HINGE TIMER | 1 |
| 8 | 13886 | KNOB 3200 TIMER | 1 |
| 9 | 13887 | PLATE, MOTOR MOUNTING | 1 |
| 10 | BR13911 | GEAR, MAIN DRIVE, TIMER | 1 |
| 11 | 14253 | RETAINER, CLUTCH SPRING | 1 |
| 12 | 24200 | PROGRAM WHEEL ASSY FOR TIMERS 3200 | 1 |
| 13 | 24388 | LABEL 24V | 1 |
| 14 | 13009-21 | GEAR, 24 HOUR | 1 |
| 15 | 25826 | WIRE HARNESS TIMER DUPLEX A & B | 1 |
| 16 | 26846 | INSTRUCTION LABEL | 1 |
| 17 | 26848 | INDICATOR LABEL | 1 |
| 18 | 26870 | LABEL PICTOGRAM | 1 |
| 19 | 11384 | SCREW | 2 |
| 20 | BR10300 | SCREW, SLOT HEX WSH, 8-18 X 3/8 | 2 |
| 21 | BR13312 | IDLER SHAFT SPRING | 1 |
| 22 | BR13802 | GEAR, CYCLE ACTUATOR | 1 |
| 23 | BR13902 | WIRE HARNESS TIMER 3220 IMMEDIAT | 1 |
| 24 | BR14087 | INSULATOR | 3 |
| 25 | BR14265 | CLIP, SPRING | 1 |
| 26 | BR14276 | SPRING, METER, CLUTCH | 1 |
| 27 | BR14457 | SPRING, DETENT | 1 |
| 28 | BR15320 | MICROSWITCH | 1 |
| 29 | BR40422 | WIRE NUT | 2 |
| 30 | BU11413 | SCREW 2.9x32 | 2 |
| 31 | BU13017 | IDLER GEAR | 1 |
| 32 | BU13018 | IDLER SHAFT | 1 |
| 33 | BU13296 | SCREW #6-20 * 0.50 long | 4 |
| 34 | BU13300 | BALL 1/4" | 1 |

| MOTOR | | | | | | | | |
|-------|-----------|---------------------------|----------------------------|------------------------------|-----------------------------|------------------------------|------------------------------|-----------------------------|
| ITEM | PN | DESCRIPTION | 24V 50Hz 1/30RPM QTY | 230V 50Hz 1/30 RPM QTY | 24V 60Hz 1/30 RPM QTY | 120V 60Hz 1/30 RPM QTY | 230V 60Hz 1/30 RPM QTY | 24V 50Hz 1/15 RPM QTY |
| 36 | BR18824-1 | MOTOR, 230V 50Hz 1/30 RPM | - | 1 | - | - | - | - |
| 36 | BR18826-1 | MOTOR, 24V 50Hz 1/30 RPM | 1 | - | - | - | - | - |
| 36 | BR18743-1 | MOTOR, 120V 60Hz 1/30 RPM | - | - | - | 1 | - | - |
| 36 | BR19659-1 | MOTOR, 24V 60Hz 1/30 RPM | - | - | 1 | - | - | - |
| 36 | BR19660-1 | MOTOR, 220V 60Hz 1/30 RPM | - | - | - | - | 1 | - |
| 36 | BU19168 | MOTOR, 24V 50Hz 1/15 RPM | - | - | - | - | - | 1 |
| 37 | 13953 | COVER UP DISC LABEL | 1 | 1 | 1 | 1 | 1 | - |
| 37 | BU28616 | COVER UP DISC LABEL | - | - | - | - | - | 1 |

NOTE : Remplace les Timer
24218, 24219, 24220, 24221, 24231 et 25306

| | | | |
|-------------------|--|-----------------------------------|----------------|
| 21/11/11 Rev H | | TIMER 3210 / DELAYED TIMER | VCTIMER |
|-------------------|--|-----------------------------------|----------------|



| Program wheel : ITEM 31 | | | | | | | | | | | |
|-------------------------|----------------------------|-----------|------------|----------|-----------|--------------|---------------|----------|-----------|-----------|------------|
| PN | DESCRIPTION | 3/4" 8 m3 | 3/4" 40 m3 | 1" 20 m3 | 1" 100 m3 | 1 1/2" 40 m3 | 1 1/2" 200 m3 | 2" 75 m3 | 2" 375 m3 | 3" 240 m3 | 3" 1200 m3 |
| 24119 | PROGRAM WHEEL ASSY 8 m3 | 1 | - | - | - | - | - | - | - | - | - |
| 24120 | PROGRAM WHEEL ASSY 40 m3 | - | 1 | - | - | 1 | - | - | - | - | - |
| 24535 | PROGRAM WHEEL ASSY 375 m3 | - | - | - | - | - | - | - | 1 | - | - |
| 24536 | PROGRAM WHEEL ASSY 75 m3 | - | - | - | - | - | - | 1 | - | - | - |
| 24537 | PROGRAM WHEEL ASSY 100 m3 | - | - | - | 1 | - | - | - | - | - | - |
| 24538 | PROGRAM WHEEL ASSY 20 m3 | - | - | 1 | - | - | - | - | - | - | - |
| 25692 | PROGRAM WHEEL ASSY 240 m3 | - | - | - | - | - | - | - | - | 1 | - |
| 25693 | PROGRAM WHEEL ASSY 1200 m3 | - | - | - | - | - | - | - | - | - | 1 |
| BU25028 | PROGRAM WHEEL ASSY 200 m3 | - | - | - | - | - | 1 | - | - | - | - |

| MOTOR | | | | | | | | |
|-------|-----------|---------------------------|----------------------|------------------------|-----------------------|------------------------|------------------------|-----------------------|
| ITEM | PN | DESCRIPTION | 24V 50Hz 1/30RPM QTY | 230V 50Hz 1/30 RPM QTY | 24V 60Hz 1/30 RPM QTY | 120V 60Hz 1/30 RPM QTY | 230V 60Hz 1/30 RPM QTY | 24V 50Hz 1/15 RPM QTY |
| 32 | BR18824-1 | MOTOR, 230V 50Hz 1/30 RPM | - | 1 | - | - | - | - |
| 32 | BR18826-1 | MOTOR, 24V 50Hz 1/30 RPM | 1 | - | - | - | - | - |
| 32 | BR18743-1 | MOTOR, 120V 60Hz 1/30 RPM | - | - | - | 1 | - | - |
| 32 | BR19659-1 | MOTOR, 22V 60Hz 1/30 RPM | - | - | 1 | - | - | - |
| 32 | BR19660-1 | MOTOR, 220V 60Hz 1/30 RPM | - | - | - | - | 1 | - |
| 32 | BU19168 | MOTOR, 24V 50Hz 1/15 RPM | - | - | - | - | - | 1 |
| 33 | 13953 | COVER UP DISC LABEL | 1 | 1 | 1 | 1 | 1 | - |
| 33 | BU28616 | COVER UP DISC LABEL | - | - | - | - | - | 1 |

NOTE : Remplace les Timer
24218, 24219, 24220, 24221, 24231 et 25306

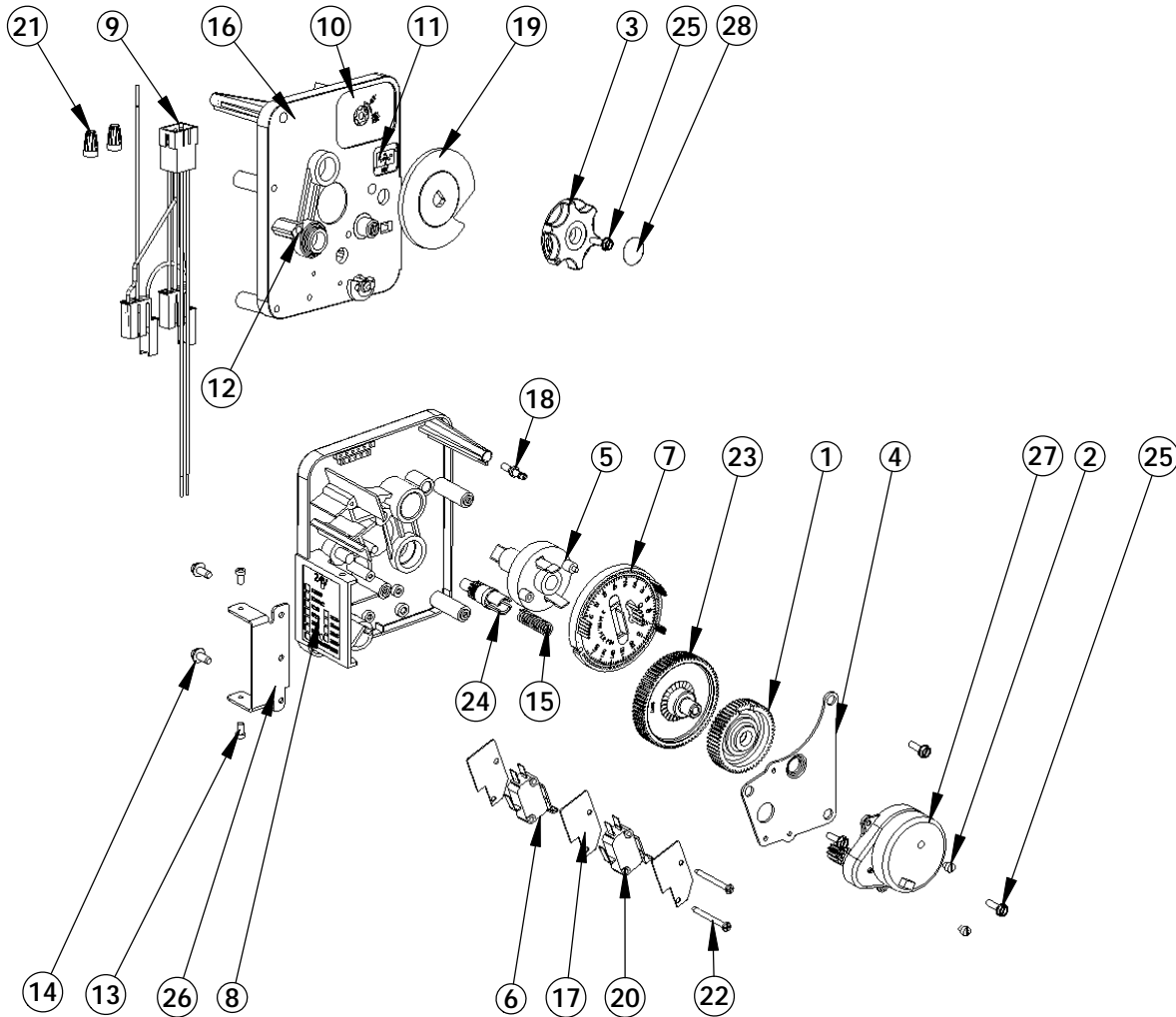
| ITEM | PN | DESCRIPTION | QTY |
|------|---------|------------------------------------|-----|
| 1 | BU13164 | GEAR, DRIVE | 1 |
| 2 | 13278 | SCREW MOTOR MOUNTING | 2 |
| 3 | BR13870 | HOUSING,TIMER,MERMAID,CLOCK | 1 |
| 4 | BR13881 | BRACKET, HINGE TIMER | 1 |
| 5 | 13886 | KNOB 3200 TIMER | 1 |
| 6 | 13887 | PLATE, MOTOR MOUNTING | 1 |
| 7 | 14253 | RETAINER, CLUTCH SPRING | 1 |
| 8 | BR15055 | GEAR, MAIN DRIVE, TIMER | 1 |
| 9 | 15314 | MICROSWITCH | 1 |
| 10 | 24200 | PROGRAM WHEEL ASSY FOR TIMERS 3200 | 1 |
| 11 | 24388 | LABEL 24V | 1 |
| 12 | 26847 | INSTRUCTION LABEL | 1 |
| 13 | 26848 | INDICATOR LABEL | 1 |
| 14 | 26870 | LABEL PICTOGRAM | 1 |
| 15 | 11384 | SCREW | 2 |
| 16 | 28077 | WIRE HARNESS TIMER 3220 IMMEDIATE | 1 |
| 17 | BR10300 | SCREW, SLOT HEX WSH, 8-18 X 3/8 | 2 |
| 18 | BR13312 | IDLER SHAFT SPRING | 1 |
| 19 | BR14087 | INSULATOR | 3 |
| 20 | BR14265 | CLIP, SPRING | 1 |
| 21 | BR14276 | SPRING, METER, CLUTCH | 1 |
| 22 | BR14501 | CLUTCH, DRIVE PINION | 1 |
| 23 | BR14502 | PROGRAM WHEEL, PINION DRIVE | 1 |
| 24 | BR15320 | MICROSWITCH | 1 |
| 25 | BR15431 | GEAR, CYCLE ACTUATOR | 1 |
| 26 | BR40422 | WIRE NUT | 2 |
| 27 | BU11413 | SCREW 2.9x32 | 2 |
| 28 | BU13017 | IDLER GEAR | 1 |
| 29 | BU13018 | IDLER SHAFT | 1 |
| 30 | BU13296 | SCREW #6-20 * 0.50 long | 4 |

21/11/11
Rev H



TIMER 3220 / IMMEDIATE TIMER

VCTIMER



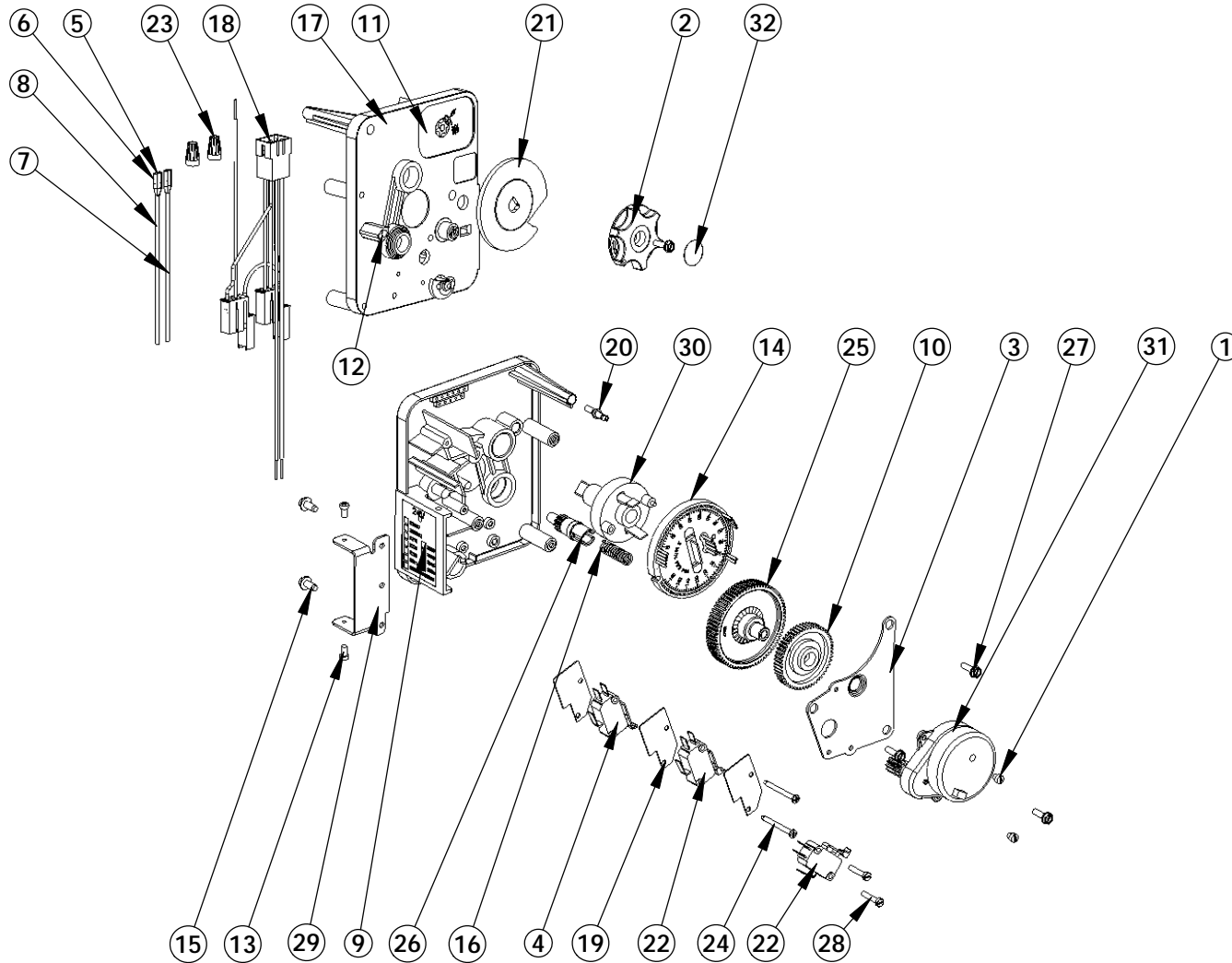
| ITEM | PN | DESCRIPTION | QTY |
|------|---------|------------------------------------|-----|
| 1 | BU13164 | GEAR, DRIVE | 1 |
| 2 | 13278 | SCREW MOTOR MOUNTING | 2 |
| 3 | 13886 | KNOB 3200 TIMER | 1 |
| 4 | 13887 | PLATE, MOTOR MOUNTING | 1 |
| 5 | BR15055 | GEAR, MAIN DRIVE, TIMER | 1 |
| 6 | 15314 | MICROSWITCH | 1 |
| 7 | 24201 | PROGRAM WHEEL 180mn 3220/3230/9000 | 1 |
| 8 | 24388 | LABEL 24V | 1 |
| 9 | 25826 | WIRE HARNESS TIMER DUPLEX A & B | 1 |
| 10 | 26847 | INSTRUCTION LABEL | 1 |
| 11 | 26848 | INDICATOR LABEL | 1 |
| 12 | 26870 | LABEL PICTOGRAM | 1 |
| 13 | 11384 | SCREW | 2 |
| 14 | BR10300 | SCREW, SLOT HEX WSH, 8-18 X 3/8 | 2 |
| 15 | BR13312 | IDLER SHAFT SPRING | 1 |
| 16 | BR13870 | HOUSING, TIMER, MERMAID, CLOCK | 1 |
| 17 | BR14087 | INSULATOR | 3 |
| 18 | BR14265 | CLIP, SPRING | 1 |
| 19 | BR15223 | ACTUATOR, CYCLE | 1 |
| 20 | BR15320 | MICROSWITCH | 1 |
| 21 | BR40422 | WIRE NUT | 2 |
| 22 | BU11413 | SCREW 2.9x32 | 2 |
| 23 | BU13017 | IDLER GEAR | 1 |
| 24 | BU13018 | IDLER SHAFT | 1 |
| 25 | BU13296 | SCREW #6-20 * 0.50 long | 4 |
| 26 | BR13881 | BRACKET, HINGE TIMER | 1 |

| | | MOTOR | | | | | | |
|------|-----------|---------------------------|----------------------------|------------------------------|-----------------------------|------------------------------|------------------------------|-----------------------------|
| ITEM | PN | DESCRIPTION | 24V 50Hz 1/30RPM QTY | 230V 50Hz 1/30 RPM QTY | 24V 60Hz 1/30 RPM QTY | 120V 60Hz 1/30 RPM QTY | 230V 60Hz 1/30 RPM QTY | 24V 50Hz 1/15 RPM QTY |
| 27 | BR18824-1 | MOTOR, 230V 50Hz 1/30 RPM | - | 1 | - | - | - | - |
| 27 | BR18826-1 | MOTOR, 24V 50Hz 1/30 RPM | 1 | - | - | - | - | - |
| 27 | BR18743-1 | MOTOR, 120V 60Hz 1/30 RPM | - | - | - | 1 | - | - |
| 27 | BR19659-1 | MOTOR, 24V 60Hz 1/30 RPM | - | - | 1 | - | - | - |
| 27 | BR19660-1 | MOTOR, 220V 60Hz 1/30 RPM | - | - | - | - | 1 | - |
| 27 | BU19168 | MOTOR, 24V 50Hz 1/15 RPM | - | - | - | - | - | 1 |
| 28 | 13953 | COVER UP DISC LABEL | 1 | 1 | 1 | 1 | 1 | - |
| 28 | BU28616 | COVER UP DISC LABEL | - | - | - | - | - | 1 |

NOTE : Remplace les Timer
24218, 24219, 24220, 24221, 24231 et 25306

TIMER 3230 / PULSE IMMEDIATE TIMER

VCTIMER



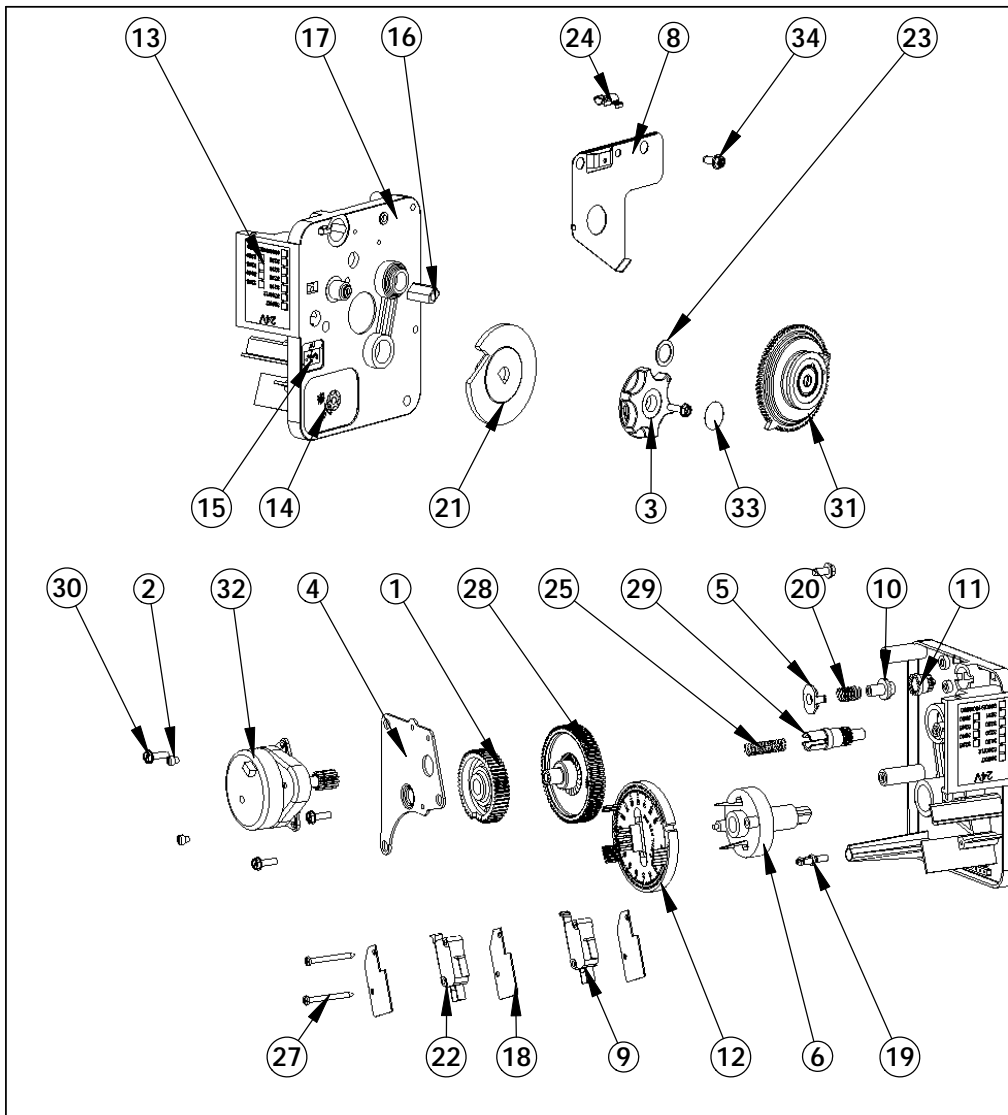
| ITEM | PN | DESCRIPTION | QTY |
|------|---------|----------------------------------|-----|
| 1 | 13278 | SCREW MOTOR MOUNTING | 2 |
| 2 | 13886 | KNOB 3200 TIMER | 1 |
| 3 | 13887 | PLATE, MOTOR MOUNTING | 1 |
| 4 | 15314 | MICROSWITCH | 1 |
| 5 | 16376 | TERMINAL AMP | 2 |
| 6 | 21475 | BLACK INSULATOR | 2 |
| 7 | 23524 | BLACK WIRE | 1 |
| 8 | 23528 | WHITE WIRE | 1 |
| 9 | 24388 | LABEL 24V | 1 |
| 10 | 25803 | DRIVE GEAR | 1 |
| 11 | 26847 | INSTRUCTION LABEL | 1 |
| 12 | 26870 | LABEL PICTOGRAM | 1 |
| 13 | 11384 | SCREW | 2 |
| 14 | 28257 | 180mn PROGRAM WHEEL 3250 PULSE | 1 |
| 15 | BR10300 | SCREW, SLOT HEX WSH, 8-18 X 3/8 | 2 |
| 16 | BR13312 | IDLER SHAFT SPRING | 1 |
| 17 | BR13870 | HOUSING, TIMER, MERMAID, CLOCK | 1 |
| 18 | BR13902 | WIRE HARNESS TIMER 3220 IMMEDIAT | 1 |
| 19 | BR14087 | INSULATOR | 3 |
| 20 | BR14265 | CLIP, SPRING | 1 |
| 21 | BR15223 | ACTUATOR, CYCLE | 1 |
| 22 | BR15320 | MICROSWITCH | 2 |
| 23 | BR40422 | WIRE NUT | 2 |
| 24 | BU11413 | SCREW 2.9x32 | 2 |
| 25 | BU13017 | IDLER GEAR | 1 |
| 26 | BU13018 | IDLER SHAFT | 1 |
| 27 | BU13296 | SCREW #6-20 * 0.50 long | 4 |
| 28 | BU21099 | SCREW TERMINAL STRIP | 2 |
| 29 | BR13881 | BRACKET, HINGE TIMER | 1 |
| 30 | BR15055 | GEAR, MAIN DRIVE, TIMER | 1 |

| MOTOR | | | | | | | | |
|-------|-----------|---------------------------|----------------------------|------------------------------|-----------------------------|------------------------------|------------------------------|-----------------------------|
| ITEM | PN | DESCRIPTION | 24V 50Hz 1/30RPM QTY | 230V 50Hz 1/30 RPM QTY | 24V 60Hz 1/30 RPM QTY | 120V 60Hz 1/30 RPM QTY | 230V 60Hz 1/30 RPM QTY | 24V 50Hz 1/15 RPM QTY |
| 31 | BR18824-1 | MOTOR, 230V 50Hz 1/30 RPM | - | 1 | - | - | - | - |
| 31 | BR18826-1 | MOTOR, 24V 50Hz 1/30 RPM | 1 | - | - | - | - | - |
| 31 | BR18743-1 | MOTOR, 120V 60Hz 1/30 RPM | - | - | - | 1 | - | - |
| 31 | BR19659-1 | MOTOR, 24V 60Hz 1/30 RPM | - | - | 1 | - | - | - |
| 31 | BR19660-1 | MOTOR, 220V 60Hz 1/30 RPM | - | - | - | - | 1 | - |
| 31 | BU19168 | MOTOR, 24V 50Hz 1/15 RPM | - | - | - | - | - | 1 |
| 32 | 13953 | COVER UP DISC LABEL | 1 | 1 | 1 | 1 | 1 | - |
| 32 | BU28616 | COVER UP DISC LABEL | - | - | - | - | - | 1 |

NOTE : Remplace les Timer
24218, 24219, 24220, 24221, 24231 et 25306

TIMER 3250 / PULSE TIMER

VCTIMER



| Program wheel : ITEM 31 | | | | | | | | | |
|-------------------------|---------------------------|--------------|---------------|---------------|----------------|---------------|---------------|----------------|----------------|
| PN | DESCRIPTION | 9000 8 m3 | 9000 20 m3 | 9000 40 m3 | 9000 100 m3 | 9500 20 m3 | 9500 40 m3 | 9500 100 m3 | 9500 200 m3 |
| 18155 | PROGRAM WHEEL ASSY 200 m3 | - | - | - | - | - | - | - | 1 |
| 24580 | PROGRAM WHEEL ASSY 8 m3 | 1 | - | - | - | - | - | - | - |
| 24914 | PROGRAM WHEEL ASSY 20 m3 | - | 1 | - | - | 1 | - | - | - |
| 24915 | PROGRAM WHEEL ASSY 40 m3 | - | - | 1 | - | - | 1 | - | - |
| 24916 | PROGRAM WHEEL ASSY 100 m3 | - | - | - | 1 | - | - | 1 | - |

| ITEM | PN | DESCRIPTION | QTY |
|------|------------|------------------------------------|-----|
| 1 | BU13164 | GEAR, DRIVE | 1 |
| 2 | 13278 | SCREW MOTOR MOUNTING | 2 |
| 3 | 13886 | KNOB 3200 TIMER | 1 |
| 4 | 13887 | PLATE, MOTOR MOUNTING | 1 |
| 5 | 14253 | RETAINER, CLUTCH SPRING | 1 |
| 6 | BR15055 | GEAR, MAIN DRIVE, TIMER | 1 |
| 7 | 15203 | WIRE HARNESS 9000 TIMER | 1 |
| 8 | 15227 | CLUTCH ACTUATOR PLATE | 1 |
| 9 | 15314 | MICROSWITCH | 1 |
| 10 | 17723 | DRIVE PINION CLUTCH | 1 |
| 11 | 17724 | DRIVE PINION | 1 |
| 12 | 24201 | PROGRAM WHEEL 180mn 3220/3230/9000 | 1 |
| 13 | 24388 | LABEL 24V | 1 |
| 14 | 26847 | INSTRUCTION LABEL | 1 |
| 15 | 26848 | INDICATOR LABEL | 1 |
| 16 | 26870 | LABEL PICTOGRAM | 1 |
| 17 | BR13870-03 | HOUSING, TIMER, 9000 | 1 |
| 18 | BR14087 | INSULATOR | 3 |
| 19 | BR14265 | CLIP, SPRING | 1 |
| 20 | BR14276 | SPRING, METER, CLUTCH | 1 |
| 21 | BR15223 | ACTUATOR, CYCLE | 1 |
| 22 | BR15320 | MICROSWITCH | 1 |
| 23 | BR15407 | WASHER, PLAIN, #4 | 1 |
| 24 | BR17513 | CLIP, SPRING | 1 |
| 25 | BR18563 | IDLER SHAFT SPRING | 1 |
| 26 | BR40422 | WIRE NUT | 2 |
| 27 | BU11413 | SCREW 2.9x32 | 2 |
| 28 | BU13017 | IDLER GEAR | 1 |
| 29 | BU13018 | IDLER SHAFT | 1 |
| 30 | BU13296 | SCREW #6-20 * 0.50 long | 4 |
| 34 | BR10300 | SCREW, SLOT HEX WSH, 8-18 X 3/8 | 1 |

| MOTOR | | | | | | | | |
|-------|-----------|---------------------------|----------------------------|------------------------------|-----------------------------|------------------------------|------------------------------|-----------------------------|
| ITEM | PN | DESCRIPTION | 24V 50Hz 1/30RPM QTY | 230V 50Hz 1/30 RPM QTY | 24V 60Hz 1/30 RPM QTY | 120V 60Hz 1/30 RPM QTY | 230V 60Hz 1/30 RPM QTY | 24V 50Hz 1/15 RPM QTY |
| 32 | BR18824-1 | MOTOR, 230V 50Hz 1/30 RPM | - | 1 | - | - | - | - |
| 32 | BR18826-1 | MOTOR, 24V 50Hz 1/30 RPM | 1 | - | - | - | - | - |
| 32 | BR18743-1 | MOTOR, 120V 60Hz 1/30 RPM | - | - | - | 1 | - | - |
| 32 | BR19659-1 | MOTOR, 24V 60Hz 1/30 RPM | - | - | 1 | - | - | - |
| 32 | BR19660-1 | MOTOR, 220V 60Hz 1/30 RPM | - | - | - | - | 1 | - |
| 32 | BU19168 | MOTOR, 24V 50Hz 1/15 RPM | - | - | - | - | - | 1 |
| 33 | 13953 | COVER UP DISC LABEL | 1 | 1 | 1 | 1 | 1 | - |
| 33 | BU28616 | COVER UP DISC LABEL | - | - | - | - | - | 1 |

NOTE : Remplace les Timer
24218, 24219, 24220, 24221, 24231 et 25306

TIMER 9000 / IMMEDIATE TIMER

VCTIMER